



HITACHI

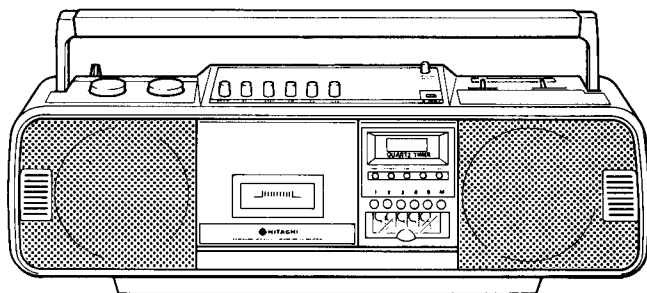
SERVICE MANUAL

TY

No. 592 EF

TRK-640 [E, E(BS), W, AU, H, HC]
TRK-650 [E, E(BS)]
TRK-P65 [E, E(BS)]

TN-21VC-1454 Chassis



TRK-P65

CONTENTS

SPECIFICATIONS	2
DISASSEMBLY	3
DIAL CORD STRINGING	5
ADJUSTMENT	6
LUBRICATION	12
MAINTENANCE	12
PRINTED WIRING BOARD	20-24
CIRCUIT DIAGRAM	25-28
BLOCK DIAGRAM	29
EXPLODED VIEW	
(Cabinet)	30,31
(Cassette chassis)	32
REPLACEMENT PARTS LIST	33

TABLE DES MATIERES

CARACTÉRISTIQUES TECHNIQUES	2
DÉMONTAGE	4
CHEMINEMENT DU CORDON D'ACCORD	5
RÉGLAGE	13
LUBRIFICATION	19
ENTRETIEN	19
PLAN DE BASE	20-24
PLAN DE CIRCUIT	25-28
SCHÉMA	29
VUE EXPLOSEE	
(Coffret)	30,31
(Chassis de Cassette)	32
TABLEAU DES PIÈCES	33

THE DIFFERENCE OF MODEL ● LA DIFFERENCE DE MODELE

	TRK-640	TRK-650	TRK-P65
PRESET/TIMER P.W.B. Sous-plaquette présélection/minuterie (PRESET/TIMER)	—	USE	USE
PRESET SWITCH (S701 ~ S706) COMMUTATEUR DE PRESELECTION (S701 ~ S706)	—	—	USE
PRESET VOLUME (RV701 ~ RV705) VOLUME DE PRESELECTION (RV701 ~ RV705)	—	—	USE

SAFETY PRECAUTIONS

The following precautions should be observed when servicing.

1. Since many parts in the unit have special safety-related characteristics, always use genuine Hitachi's replacement parts. Especially critical parts in the power circuit block should not be replaced with other makers. Critical parts are marked with Δ in the circuit diagram and printed wiring board.
2. Before returning a repaired unit to the customer, the service technician must thoroughly test the unit to ascertain that it is completely safe to operate without danger of electrical shock.

SPECIFICATIONS AND PARTS ARE SUBJECT TO CHANGE FOR IMPROVEMENT.

RADIO CASSETTE TAPE RECORDER

September 1988

YOKOHAMA WORKS

SPECIFICATIONS

● RADIO SECTION

Circuit System: FM/AM-2bands superheterodyne [for H, HC] (except TRK-650/P65)
FM/SW/MW/LW-4bands superheterodyne [for E, E(BS)]
FM/SW2/SW1/MW-4bands superheterodyne [for W, AU] (except TRK-650/P65)

Tuning Range: FM: 88 to 108 MHz [except E, E(BS)]
FM: 87.5 to 108 MHz [for E, E(BS)]
SW: 6 to 18 MHz [for E, E(BS)]
SW2: 7 to 22 MHz [for W, AU]
SW1: 2.3 to 7 MHz [for W, AU]
MW(AM): 530 to 1,605 kHz
LW: 150 to 285 kHz [for E, E(BS)]

Intermediate Frequency: FM: 10.7 MHz
SW/MW/LW: 465 kHz [for E, E(BS)]
SW2/SW1/MW(AM): 455 kHz [except E, E(BS)]

Sensitivity: FM: 20 dB (pra.)
14 dB (max.)
SW: 38 dB (pra.) [for E, E(BS)]
30 dB (max.) [for E, E(BS)]
SW2: 36 dB (pra.) [for W, AU]
32 dB (max.) [for W, AU]
SW1: 54 dB (pra.) [for W, AU]
45 dB (max.) [for W, AU]
MW(AM): 54 dB (pra.)
46 dB (max.)
LW: 60 dB (pra.) [for E, E(BS)]
57 dB (max.) [for E, E(BS)]

Antennas: (Aerials) FM/SW/SW2: ROD. antenna
SW1/MW(AM)/LW: Built in ferrite antenna

● TAPE RECORDER SECTION

Tape: Cassette tape

Track System: 4tracks 2channels stereo

Tape Speed: 4.75 cm/sec.

Recording System: AC bias (TAPE2)

Erasing System: Magnet erase (TAPE2)

Erasing Ratio: 50 dB

Frequency Response: Normal: 80 to 10,000 Hz

Signal to Noise Ratio: 40 dB

Wow and Flutter: 0.25% (W-RMS)

Cross Talk: Between tracks: 60 dB
Between channels: 40 dB

Input sensitivity and impedance: CD/Line-in: 600 mV, 100 k Ω

Output road impedance: Speakers: 8 Ω

Distortion: 3%

Motor: DC micro motor

Head: Permalloy

● GENERAL SECTION

Semiconductors: ICs: 5
Transistors: 3 [except E, E(BS)] (for TRK-640)
4 [for E, E(BS)] (for TRK-640)
7 [for E, E(BS)] (for TRK-650)
9 [for E, E(BS)] (for TRK-P65)
Diodes: 8 [except W] (for TRK-640)
9 [for W] (for TRK-640)
10 (for TRK-650)
16 (for TRK-P65)
LEDs: 1

Power Supply: AC: 120V, 60 Hz [for H, HC]
AC: 220V, 50 Hz [for E]
AC: 240V, 50 Hz [for E(BS), AU]
AC: 110 – 127V/200 – 220V/230 – 250V, 50/60 Hz [for W]
DC: 9V [IEC R20 ("D" CELL) x 6 or equivalent]
Car: Use car-battery adaptor [for W]

Power Consumption: 10W

Power Output: PMP 5W (AC operation)
1.2W/CH (10% T.H.D. DC operation)

Speakers: 10cm (x 2)

Dimensions: 480 (W) x 150 (H) x 110 (D) mm

Weight: 2.95 kg (with batteries)

Specifications are subject to change without notice for performance improvement.

PRÉCAUTIONS DE SÉCURITÉ

Les précautions suivantes doivent être observées chaque fois qu'une réparation doit être faite.

1. Etant donné que de nombreux composants de l'appareil possèdent des caractéristiques relatives à la sécurité, utiliser uniquement des pièces de rechange d'origine Hitachi pour effectuer un remplacement. Ceci se rapporte notamment aux pièces critiques du bloc d'alimentation qui ne doivent en aucun cas être remplacées par celles d'autres fabricants. Les pièces critiques sont accompagnés du symbole \triangle dans le plan de circuit et sur le plan de base.
2. Avant de retourner l'appareil réparé au client le technicien doit procéder à un essai complet pour s'assurer qu'il ne présente aucun danger de chocs électriques.

CARACTÉRISTIQUES TECHNIQUES

● SECTION RADIO

Système de circuit: 2 gammes d'ondes FM/AM à superhétérodyne [pour H, HC] (sauf TRK-650/P65)
4 gammes d'ondes FM/OC/PO/GO à superhétérodyne [pour E, E(BS)]
4 gammes d'ondes FM/OC2/OC1/PO à superhétérodyne [pour W, AU] (sauf TRK-650/P65)

Gammes d'accord: FM: De 88 à 108 MHz [sauf E, E(BS)]
FM: De 87,5 à 108 MHz [pour E, E(BS)]
OC: De 6 à 18 MHz [pour E, E(BS)]
OC2: De 7 à 22 MHz [pour W, AU]
OC1: De 2,3 à 7 MHz [pour W, AU]
PO(AM): De 530 à 1605 kHz
GO: De 150 à 285 kHz [pour E, E(BS)]

Fréquence intermédiaire:	FM: 10.7 MHz OC/PO/GO: 465 kHz [pour E, E(BS)] OC2/OC1/PO(AM): 455 kHz [sauf E, E(BS)]
Sensibilité:	FM: 20 dB (utile) 14 dB (max.) OC: 38 dB (utile) [pour E, E(BS)] 30 dB (max.) [pour E, E(BS)] OC2: 36 dB (utile) [pour W, AU] 32 dB (max.) [pour W, AU] OC1: 54 dB (utile) [pour H, HC, W, W(UN), W(UNS), AU] 45 dB (max.) [pour H, HC, W, W(UN), W(UNS), AU] PO(AM): 54 dB (utile) 46 dB (max.) GO: 60 dB (utile) [pour E, E(BS)] 57 dB (max.) [pour E, E(BS)]
Antennes: (aériens)	FM/OC/OC2: antenne fixe (aérien) OC1/PO(AM)/GO: antenne en ferrite incorporée (aérien)

Distortion:	3%
Moteur:	Micro moteur CC
Tête:	Permalloy

● CARACTÉRISTIQUES GÉNÉRALES

Semi conducteurs:	Circuits intégrés: 5 Transistors: 3 [sauf E, E(BS)] (pour TRK-640) 4 [pour E, E(BS)] (pour TRK-640) 7 [pour E, E(BS)] (pour TRK-650) 9 [for E, E(BS)] (pour TRK-P65) Diodes: 8 [sauf W] (pour TRK-640) 9 [pour W] (pour TRK-640) 10 [for TRK-650] 16 [for TRK-P65] Diodes électroluminescentes: 1 Secteur alternatif: 120V, 60 Hz [pour H, HC] 220V, 50 Hz [pour E] 240V, 50 Hz [pour E(BS), AU] 110–127V/200–220V /230–250V, 50/60 Hz [pour W] Courant continu: 9V [IEC R20 (pile "D") x 6 ou l'équivalent] Voiture: utilisent un adaptateur pour batterie [pour W]
Alimentation:	
Consommation électrique:	10W
Niveau de sortie:	20W PMP (fonctionnement sur le secteur) 1.2W/canal (C.C. à 10% D.H.T.)
Haut-parleurs:	10 cm (x 2)
Dimensions:	480 (L) x 150 (H) x 110 (P) mm
Poids:	2.95 kg (piles comprises)

Les caractéristiques techniques peuvent être modifiées sans préavis pour améliorations des performances.

● SECTION LECTEUR-ENREGISTREUR DE CASSETTE

Bande:	En cassette
Système de piste:	4 pistes, 2 canaux stéréo
Vitesse de défilement:	4,75 cm/s
Système d'enregistrement:	Polarisation c.a. (TAPE2)
Système d'effacement:	Aimant (TAPE2)
Taux déffacement:	50 dB
Réponse en fréquence:	Normal: De 80 à 10000 Hz
Rapport signal-bruit:	40 dB
Pleurage et scintillement:	0,25% (watts effic.)
Diaphonie:	Entre les pistes: 60 dB Entre les canaux: 40 dB
Impédance et sensibilité d'entrée:	CD/entrée ligne: 600 mV, 100 k.Ω
Impédance de charge de sortie:	Haut-parleur: 8 ohms

DISASSEMBLY

1. Front Case (Fig. 1, 2)

Remove the battery cover, one screw ① and eight screws ②. Pull the front case out in the direction of arrow ③.

When the front case has been pulled halfway out, remove connector ④ (two places) on the radio P.W.B. and remove one 1P plug.

2. Radio P.W.B. (Fig. 2)

After removing the front case, remove one screw ③ and remove connectors ④ (two places), ⑤, ⑥, ⑦, and ⑧ on the radio P.W.B.. Pull the radio P.W.B. out in the direction of arrow ⑨.

3. Cassette Chassis (Fig. 3)

After removing two screws ④, remove radio P.W.B. connectors ⑤ and ⑥ (Fig. 2) and two tabs. Pull the cassette chassis forward in the direction of arrow ⑦.

4. Power supply P.W.B. (Fig. 4)

Remove two screws ⑤, one screw ⑥ and one screw ⑦.

5. Audio P.W.B. (Fig. 5)

After removing the tone control knob and volume control knob, remove one screw ⑧, remove connector ⑨ on the audio P.W.B. in the direction of arrow ⑩.

6. LED P.W.B. (Fig. 6)

Remove one screw ⑨ and remove the LED P.W.B..

7. PRESET-TIMER P.W.B. (Fig. 6)

Remove three screws ⑩ and remove radio P.W.B. connectors ④ and ⑤ (Fig. 2) in the direction of arrow ⑥. (The TRK-640 does not use a PRESET/TIMER P.W.B..)

8. Mic P.W.B. (Fig. 6)

Pull the mic P.W.B. out in the direction of arrow ⑦.

DÉMONTAGE

1. Boîtier avant (Fig. 1, 2)

Enlever le couvercle de logement des piles, une vis ① et huit vis ②. Dégager le boîtier avant dans la direction de la flèche (A).

Une fois que le boîtier avant a été dégagé à moitié, enlever le connecteur (A) (deux endroits) de la sous-plaquette radio et enlever une fiche 1P.

2. Sous-plaquette radio (Fig. 2)

Après avoir enlevé le boîtier avant, enlever une vis ③ et enlever les connecteurs (A) (deux endroits), (B), (C), (D) et (E) de la sous-plaquette radio. Dégager la sous-plaquette radio dans la direction de la flèche (B).

3. Châssis cassette (Fig. 3)

Après avoir enlevé deux vis ④, enlever les connecteurs (B) et (E) (Fig. 2) de la plaquette principale et deux onglets. Dégager le châssis cassette vers l'avant dans la direction de la flèche (C).

4. Sous-plaquette d'alimentation (Fig. 4)

Enlever deux vis ⑤, une vis ⑥ et une vis ⑦.

5. Sous-plaquette audio (Fig. 5)

Après avoir enlevé le bouton de contrôle de tonalité et le bouton de contrôle de volume, enlever une vis ⑧, enlever le connecteur (F) de la sous-plaquette audio dans la direction de la flèche (D).

6. Sous-plaquette LED (Fig. 6)

Enlever une vis ⑨ et enlever la sous-plaquette LED.

7. Sous-plaquette présélection/minuterie PRE-SET-TIMER (Fig. 6)

Enlever trois vis ⑩ et enlever les connecteurs (C) et (D) (Fig. 2) de la sous-plaquette radio dans la direction de la flèche (E).

(Le TRK-640 n'utilise pas de sous-plaquette PRE-SET-TIMER.)

8. Sous-plaquette micro (Fig. 6)

Dégager la sous-plaquette micro dans la direction de la flèche (F).

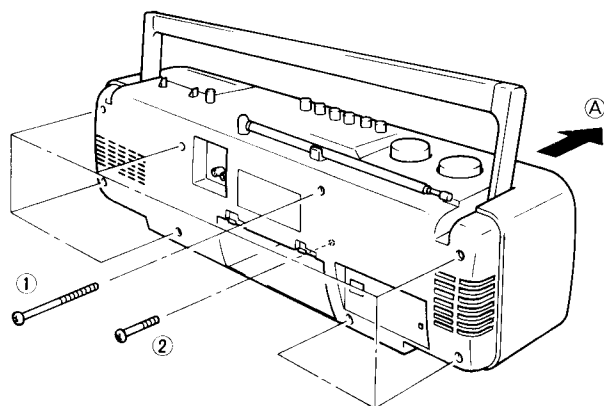


Fig. 1

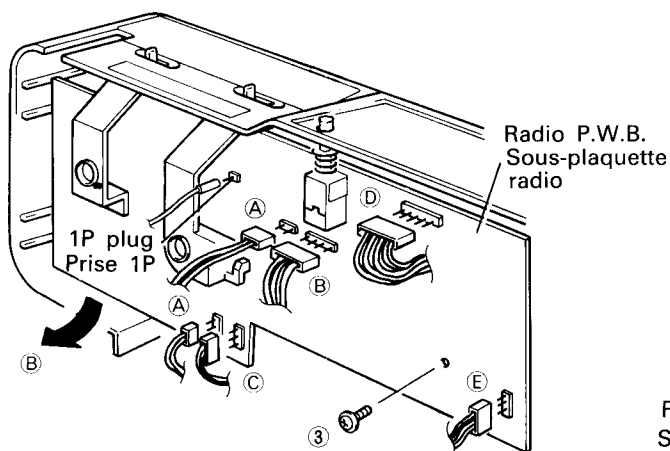


Fig. 2

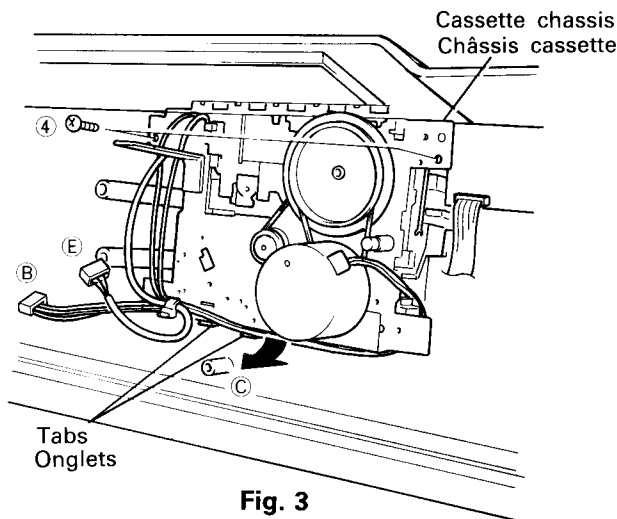


Fig. 3

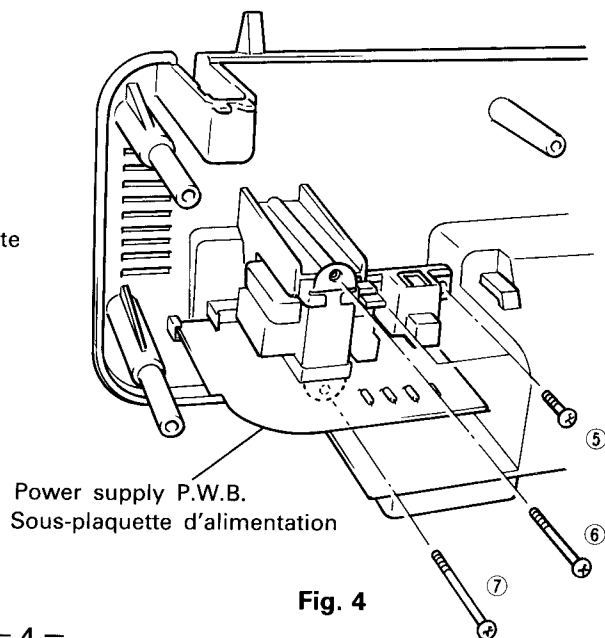


Fig. 4

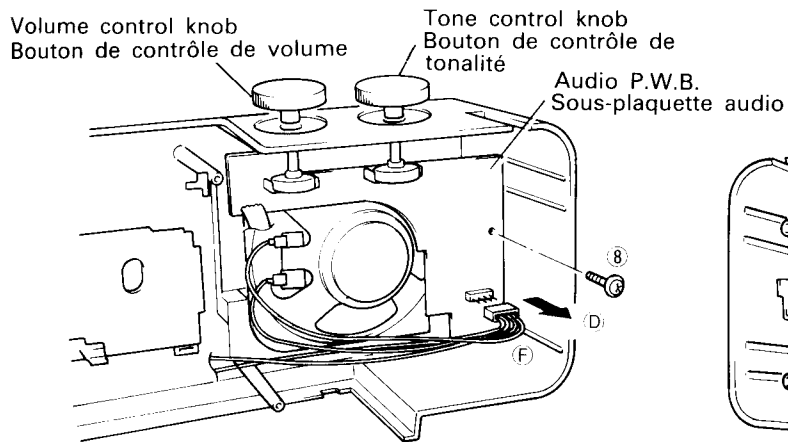


Fig. 5

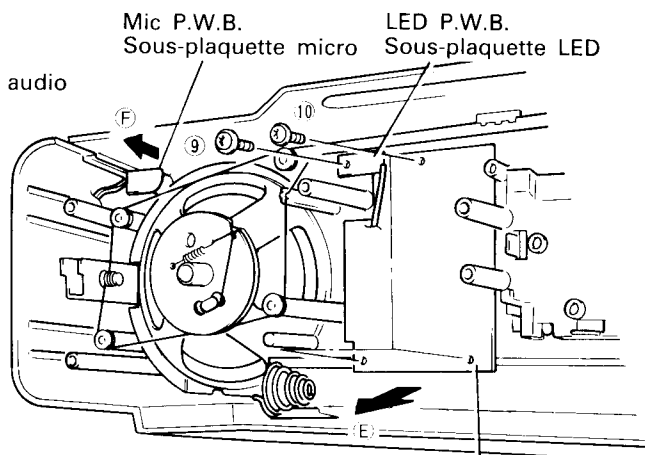


Fig. 6

PRESET/TIMER P.W.B.
Sous-plaquette
présélection/minuterie
(PRESET/ TIMER)

DIAL CORD STRINGING

Wind the pulley all the way counter-clockwise and string the points together in order of the numbers. After stringing, align the pointer in the setting position.

CHEMINEMENT DU CORDON D'ACCORD

Enrouler le câble de poulie dans le sens contraire des aiguilles d'une montre et le faire passer successivement aux points indiqués. Une fois cette opération terminée, mettre le palpeur sur la position de réglage.

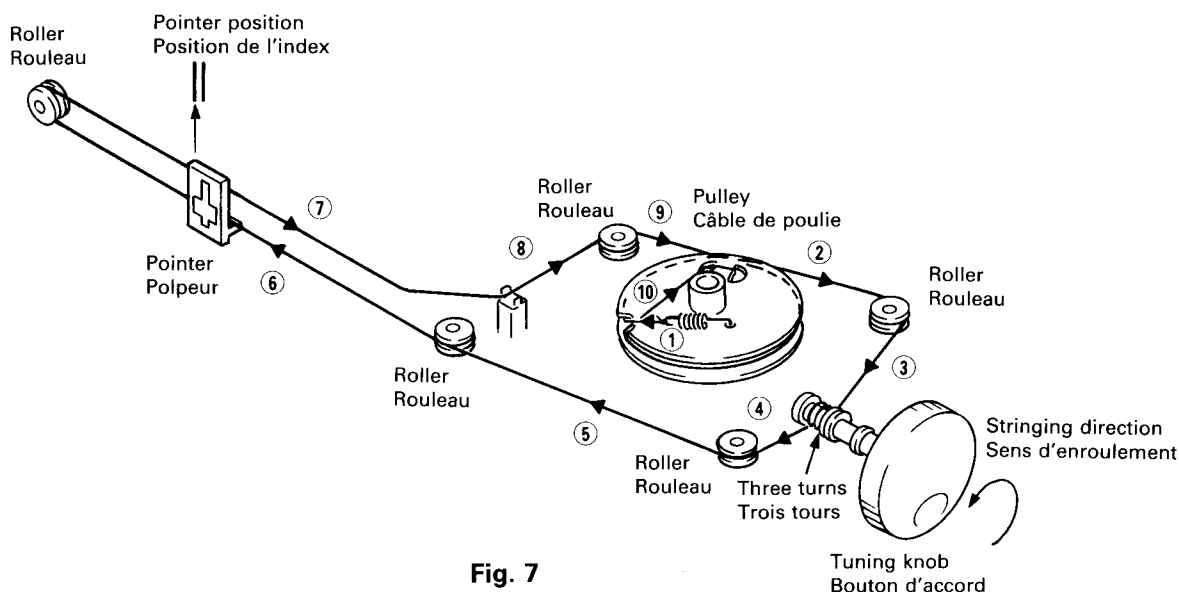


Fig. 7

ADJUSTMENT

1. RADIO SECTION

- Adjustment points
[for E, E(BS)]

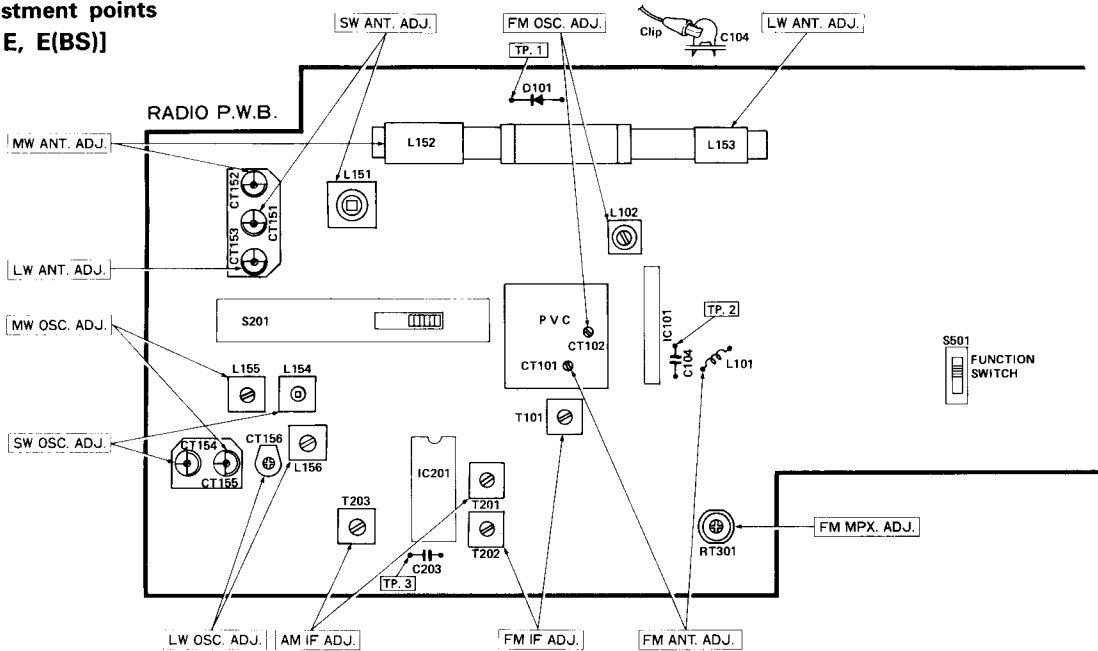


Fig. 8

(1)-1 AM Section for E, E(BS) (FM/SW/MW/LW 4-bands)

Step	Adjustment Item	Measuring Instrument and Connection			Genescope or Signal Generator Frequency	Dial Pointer Position	Adjust	Reading
		Measuring Instrument	Input Terminal	Output Terminal				
1	(1) AM IF	• Genescope (465 kHz)	Ferrite antenna (Note 3)	TP3	465 kHz	Highest	T201 T203	(Note 1)
2	(1) (2) (3) SW OSC. (Covering)	• AM signal generator (400 Hz, 30% mod.)	TP1 (through SW dummy antenna) (Note 2)	TP3	5.8 MHz	Lowest	L154	Max.
					18.5 MHz	Highest	CT154	
					Repeat steps (1) and (2)			
3	(1) (2) (3) SW ANT. (Tracking)	• VTVM • Oscilloscope			6.5 MHz	6.5 MHz	L151	Max.
					16 MHz	16 MHz	CT151	
					Repeat steps (1) and (2)			
4	(1) (2) (3) MW OSC. (Covering)	• AM signal generator (400 Hz, 30% mod.)	Ferrite antenna (Note 3)	TP3	515 kHz	Lowest	L155	Max.
					1,650 kHz	Highest	CT155	
					Repeat steps (1) and (2)			
5	(1) (2) (3) MW ANT. (Tracking)	• VTVM • Oscilloscope			600 kHz	600 kHz	L152	Max.
					1,400 kHz	1,400 kHz	CT152	
					Repeat steps (1) and (2)			
6	(1) (2) (3) LW OSC. (Covering)	• AM signal generator (400 Hz, 30% mod.)	Ferrite antenna (Note 3)	TP3	145 kHz	Lowest	L156	Max.
					290 kHz	Highest	CT156	
					Repeat steps (1) and (2)			
7	(1) (2) (3) LW ANT. (Tracking)	• VTVM • Oscilloscope			160 kHz	160 kHz	L153	Max.
					270 kHz	270 kHz	CT153	
					Repeat steps (1) and (2)			

● Adjustment points
[for W, AU (TRK-640)]

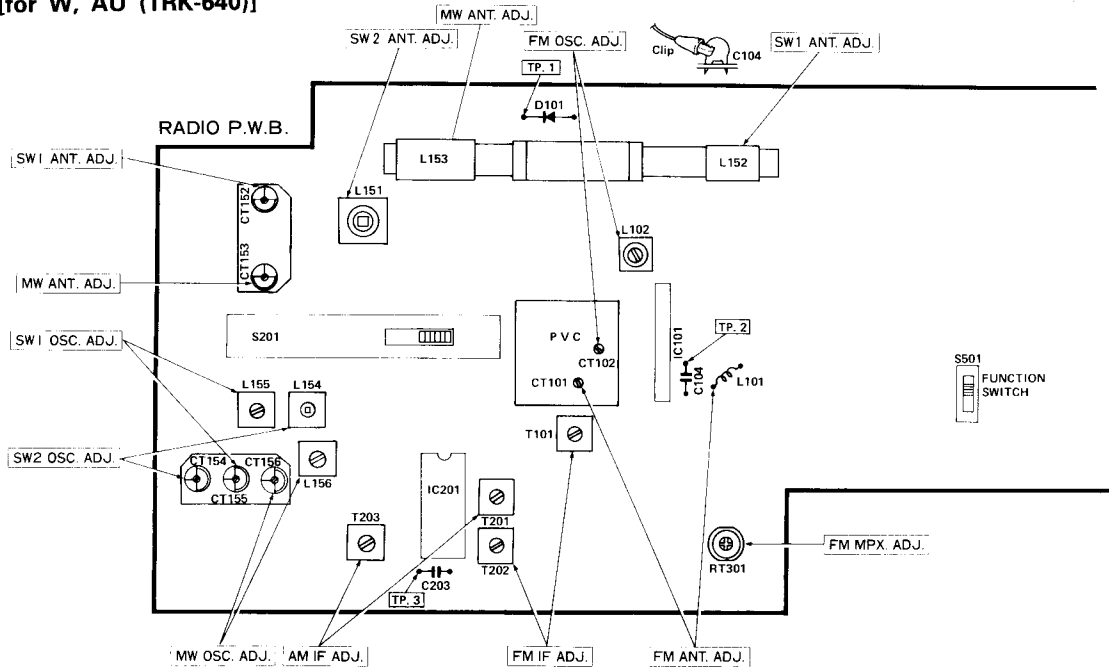


Fig. 9

(1)-2 AM Section for W, AU (FM/SW2/SW1/MW 4-bands)

Step	Adjustment Item	Measuring Instrument and Connection			Genescope or Signal Generator Frequency	Dial Pointer Position	Adjust	Reading
		Measuring Instrument	Input Terminal	Output Terminal				
1	(1) AM IF	• Genescope (455 kHz)	Ferrite antenna (Note 3)	TP3	455 kHz	Highest	T201 T203	(Note 1)
2	(1) SW2 OSC. (Covering)	• AM signal generator (400 Hz, 30% mod.)	TP1 (through SW dummy antenna) (Note 2)	TP3	6.7 MHz	Lowest	L154	Max.
					23 MHz	Highest	CT154	
					Repeat steps (1) and (2)			
3	(1) SW2 ANT. (Tracking)	• VTVM • Oscilloscope			8 MHz	8 MHz	L151	Max.
					20 MHz	20 MHz	CT151	
4	(1) SW1 OSC. (Covering)	• AM signal generator (400 Hz, 30% mod.)	Ferrite antenna (Note 3)	TP3	2.2 kHz	Lowest	L155	Max.
					7.3 kHz	Highest	CT155	
					Repeat steps (1) and (2)			
5	(1) SW1 ANT. (Tracking)	• VTVM • Oscilloscope			2.7 kHz	2.7 kHz	L152	Max.
					6.3 kHz	6.3 kHz	CT152	
					Repeat steps (1) and (2)			
6	(1) MW OSC. (Covering)	• AM signal generator (400 Hz, 30% mod.)	Ferrite antenna (Note 3)	TP3	515 kHz	Lowest	L156	Max.
					1,650 kHz	Highest	CT156	
					Repeat steps (1) and (2)			
7	(1) MW ANT. (Tracking)	• VTVM • Oscilloscope			600 kHz	600 kHz	L153	Max.
					1,400 kHz	1,400 kHz	CT153	
					Repeat steps (1) and (2)			

● Adjustment points
[for H, HC (TRK-640)]

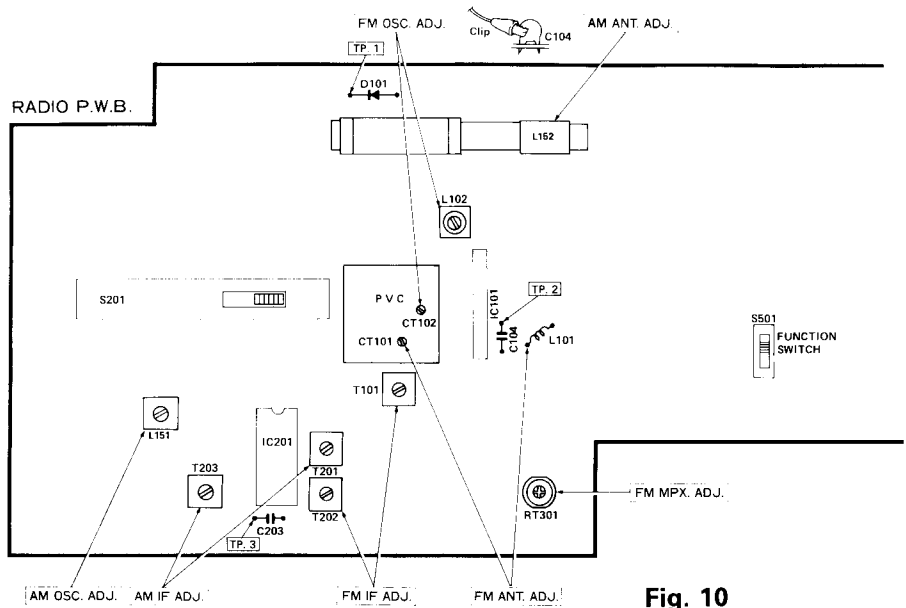


Fig. 10

(1)-3 AM Section for H, HC (FM/AM 2-bands)

Step	Adjustment Item	Measuring Instrument and Connection			Genescope or Signal Generator Frequency	Dial Pointer Position	Adjust	Reading
		Measuring Instrument	Input Terminal	Output Terminal				
1	(1) AM IF	• Genescope (455 kHz)	Ferrite antenna (Note 3)	TP3	455 kHz	Highest	T201 T203	(Note 1)
2	(1) (2) (3) AM OSC. (Covering)	• AM signal generator (400 Hz, 30% mod.)	Ferrite antenna (Note 3)	TP3	515 kHz	Lowest	L151	Max.
					1,650 kHz	Highest	CT161 (PVC)	
					Repeat steps (1) and (2)			
3	(1) (2) (3) AM ANT. (Tracking)	• VTVM • Oscilloscope	Ferrite antenna (Note 3)	TP3	600 kHz	600 kHz	L152	Max.
					1,400 kHz	1,400 kHz	CT152 (PVC)	
					Repeat steps (1) and (2)			

TRK-640/650

(2)-1 FM Section

* : For E

Step	Adjustment Item	Measuring Instrument and Connection			Genescope or Signal Generator Frequency	Dial Pointer Position	Adjust	Reading
		Measuring Instrument	Input Terminal	Output Terminal				
1	(1) FM IF	Turn T202 fully counterclockwise			10.7 MHz	Highest	T101	(Note 5)
	(2) S-Curve	• Genescope (10.7 MHz)	TP2	TP3			T202	(Note 6)
2	(1) (2) (3) FM OSC. (Covering)	• FM signal generator (400 Hz, 30% dev.)	TP1 (through FM dummy antenna) (Note 7)	TP3	*87.4 MHz 87 MHz	Lowest	L102	Max.
					*108.35 MHz 109 MHz	Highest	CT102	
					Repeat steps (1) and (2)			
3	(1) (2) (3) FM ANT. (Tracking)	• Oscilloscope • VTVM	TP1 (through FM dummy antenna) (Note 7)	TP3	90 MHz	90 MHz	L101	Max.
					106 MHz	106 MHz	CT101	
					Repeat steps (1) and (2)			
4	(1) FM MPX (Multiplex)	• Frequency counter	Connect a 10 μ F/25V electrolytic capacitor between the NO. 1 pin of IC301 and GND	No. 6 pin of IC301	—	—	RT301	38 kHz \pm 50 Hz (Note 8)

TRK-P65

● Adjustment points

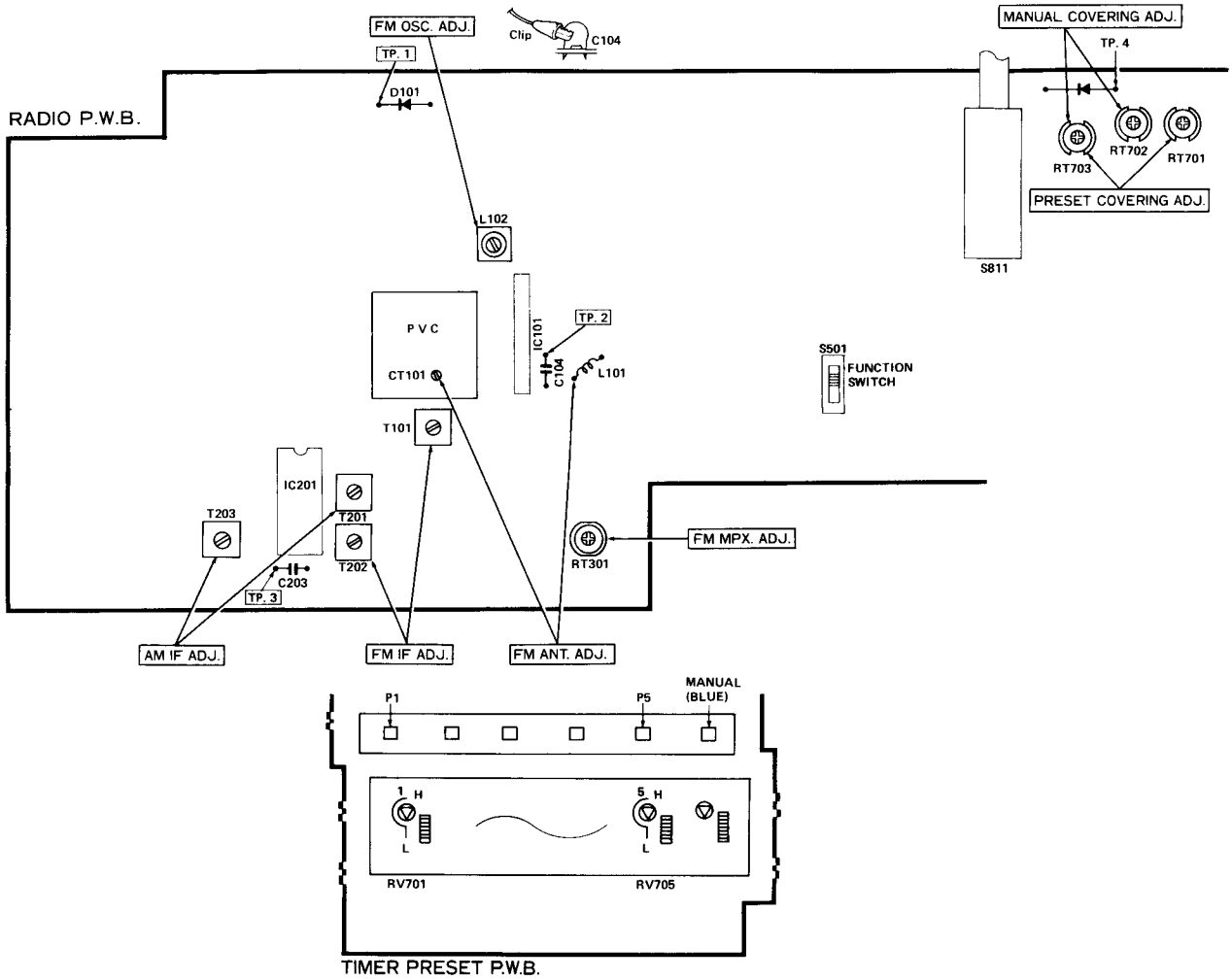


Fig. 11

TRK-P65

(2)-2 FM Section

Step	Adjustment Item	Measuring Instrument and Connection			Genescope or Signal Generator Frequency	Dial Pointer Position	Adjust	Reading
		Measuring Instrument	Input Terminal	Output Terminal				
1	(1) FM IF	Turn T202 fully counterclockwise			10.7 MHz	Highest	T101	(Note 4)
	(2) S-Curve	• Genescope (10.7 MHz)	TP2	TP3			T202	(Note 5)
2	(1) FM ANT. (Tracking)	• FM signal generator (400 Hz, 30% dev.) • Oscilloscope • VTVM	TP1 (through FM dummy antenna) (Note 6)	TP3	90 MHz	90 MHz	L101	Max.
					106 MHz	106 MHz	CT101	
					Repeat steps (1) and (2)			
3	(1) FM MPX (Multiplex)	• Frequency counter	Connect a 10 μ F/25V electrolytic capacitor between the NO. 1 pin of IC301 and GND	No. 6 pin of IC301	—	—	RT301	38 kHz \pm 50 Hz (Note 7)

FM Covering

Step		Signal Generator Frequency	Preset CH. and Dial Pointer Position	Voltage of TP4	Adjust	Reading	Note
4-1		—	—	3.0V±0.1	RT703	DC Volt meter	*1 Connect the DC volt meter to TP4
4-2	Preset Covering	*2 See to (1) (2)	P1 ON	—	RV701	TP3 MAX	Fix the RV701 after searching lowest frequency.
4-3		*2 See to (3) (4)	P5 ON	—	RV705		Fix the RV705 after searching highest frequency.
4-4		87.4 $\begin{smallmatrix} +0.1 \\ -0.2 \end{smallmatrix}$ MHz	P1 ON	—	L102		
4-5		(1)	108.35 $\begin{smallmatrix} +0.15 \\ -0.35 \end{smallmatrix}$ MHz	P5 ON	—		RT701
	(2)	—	3.0V±0.1		RT703		
	(3)	Repeat steps (1) and (2)					
4-6	Manual Covering	87.4 $\begin{smallmatrix} +0.1 \\ -0.2 \end{smallmatrix}$ MHz	MANUAL ON Dial Pointer Lowest	—	RT702	TP3 MAX	
		—		3.0V±0.1	RT703		
		(3)	Repeat steps (1) and (2)				

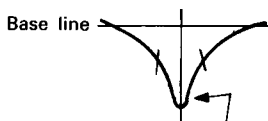
*1: Please use high internal impedance DC volt meter for measuring the voltage of TP4.

*2: How to adjust the RV701 (Lowest) and RV705 (Highest).

- (1) Set the RV701 about lowest and receive the signal from Signal Generator.
- (2) Adjust and search the lowest frequency so as to change the RV701 and the Signal Generator frequency.
- (3) Set the RV705 about highest and receive the signal from Signal Generator.
- (4) Adjust and search the highest frequency so as to change the RV705 and the Signal Generator frequency.

Note:

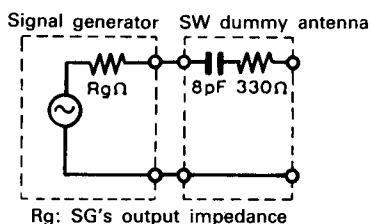
1. Feed in a weak signal from the genescope. Adjust T201, T203 for maximum gain and the waveform of Fig. 12.



Adjust the genescope output so that there is a little noise riding on the leading edge.

Fig. 12

2. SW dummy antenna shows Fig. 13.



Rg: SG's output impedance

Fig. 13

3. Connect AM signal generator to loop antenna, bring near to ferrite antenna.

4. Feed in a weak signal to TP2 from the genescope. Adjust T101 for maximum gain and the waveform indicated in Fig. 14. If the center of the waveform cannot be lined up on the marker, adjust the right/left balance.

Adjust the genescope output so that there is a little noise riding on the leading edge.

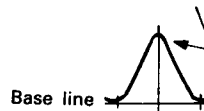


Fig. 14

5. Use the T202 core to form the S-curve shown in Fig. 15. Adjust the symmetry of A and B about point C for linearity.

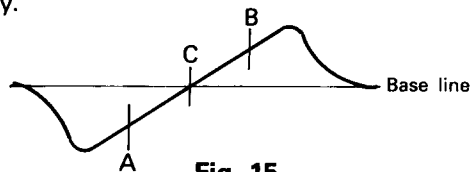


Fig. 15

6. FM dummy antenna shows Fig. 16.

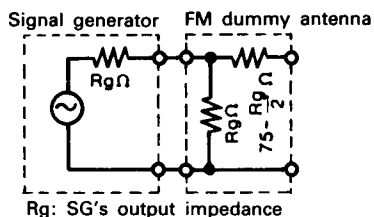


Fig. 16

7. Connect the frequency counter to the No. 6 pin of IC301 and connect a 220kΩ resistor parallel with the frequency counter.

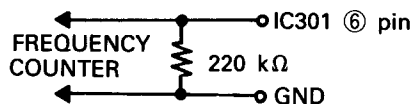


Fig. 17

2. TAPE RECORDER SECTION

Perform the following adjustments in the sequence stated after cleaning the head, pressure roller, and capstan with a head cleaning stick moistened in alcohol. (Note 1)

Step	Adjustment Item	Measuring Instrument and Connection			Check Tape	Mode	Adjust	Reading
		Measuring Instrument	Input Terminal	Output Terminal				
1	Tape speed	• Frequency counter	—	SP Terminal	Tape speed adjustment tape (3kHz)	Playback	Semivariable resistor in the motor (Fig. 18)	3kHz ± 20Hz (Note 2)
2	Head azimuth	• VTVM	—	SP Terminal	Head azimuth adjustment tape (10kHz)	Playback	Azimuth adjusting screw. (Fig. 18)	Output max. (Note 3)

Note:

- Adjust within 30 sec. after heart-running for more than 20 minutes.
- When the maximum values of both channels are different, adjust to the maximum value of the L channel. In this case, the difference between the maximum values of both channels should be within 2 dB.
- When the maximum values of both channels are different, adjust to the maximum value of the L channel. In this case, the difference between the maximum values of both channels should be within 2 dB.

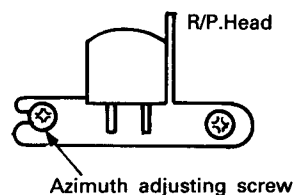


Fig. 18

3. Cassette Chassis Checking and Adjustment

No.	Inspection item	Reference Value	Remarks
1	Pressure roller compression strength	TAPE 300-500 g	(Note 1) Tension gauge
2	Playback torque	TAPE 40-70 g	Cassette pack system Torque meter
3	FF/REW torque	65-140 g	Cassette pack system Torque meter
4	Take up back-tension	TAPE 2.0-6.0 g · min	Cassette pack system Torque meter
5	Tape drive force	TAPE 120 g · min	
6	Axial play of flywheel	0.05-0.5 mm	

Note 1 Pressure roller compression strength

LUBRICATION

Apply one or two drops of pan motor oil or sonic slider oil to rotating parts. Coat sliding parts with Molycoat (EL-10M). Lubricate once a year or every 1,000 hours of operation. Do not let oil contact belts or idlers.

Rotating parts	Metal to metal	Pan motor oil (10W-40)
	Plastics to metal	Sonic slider oil (#1600)
Sliding parts	(Note)	
	Plastics to plastics Plastics to metal	Molycoat (EL-10M)
Spring vibration prevention		Floyl (GB-TS-1)

NOTE:

When front frame and slide knob are replaced, coat both contacting parts lightly with white grease.

MAINTENANCE

■ **Clean cabinet and panels when dirty**

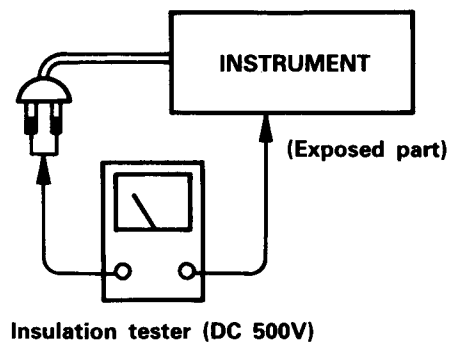
Clean off dirt on the surfaces with a dry cloth. Never use thinners, benzene or alcohol since these will damage the surface finish.

Check that exposed parts are acceptably insulated from the supply circuit before returning the instrument repaired to the customer.

● **Checking method**

Operate switch is set to ON.

Next, measure the resistance value between the both poles of attachment cup (Power supply plug) and the exposed parts (Parts such as Knob, Cover, etc. where the customer is easy to touch.) and check that the resistance value is 500 kohms or more.



RÉGLAGE

1. SECTION RADIO

● Points de réglage

[pour E, E(BS)] Plaquette principale de circuits imprimés

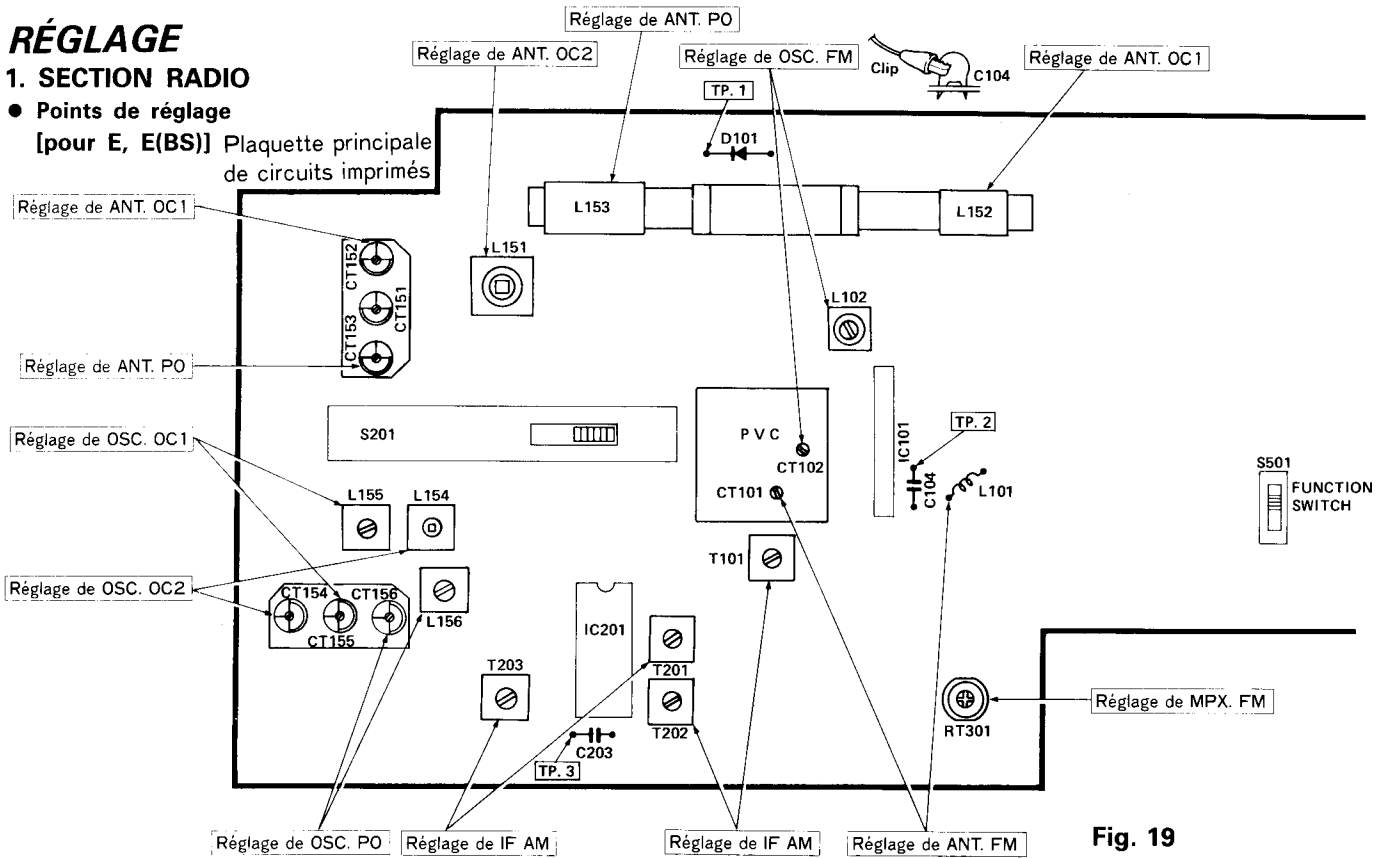


Fig. 19

(1)-1 Section AM pour E, E(BS) (FM/OC/PO/GO 4 gammes)

Etape	Objet du réglage	Instrument de mesure et branchements			Généscope ou fréquence du générateur de signal	Position de l'aiguille du cadran	Réglage	Lecture
		Instrument de mesure	Borne d'entrée	Borne de sortie				
1	(1) IF AM	• Généscope (465 kHz)	Antenne noyau en ferrite (Remarque 3)	TP3	465 kHz	La plus haute	T201 T203	(Remarque 1)
2	(1) OSC. OC (couverture)	• Générateur de signal AM (400 Hz, mod. 30%)	TP1 (par le biais d'une antenne OC fictive) (Remarque 2)	TP3	5,8 MHz	La plus basse	L154	Max.
					18,5 MHz	La plus haute	CT154	
					Répéter les étapes (1) et (2)			
3	(1) ANT. OC (poursuite)	• VTVM • Oscilloscope			6,5 MHz	6,5 MHz	L151	Max.
					16 MHz	16 MHz	CT151	
					Répéter les étapes (1) et (2)			
4	(1) OSC. PO (couverture)	• Générateur de signal AM (400 Hz, mod. 30%)	Antenne noyau en ferrite (Remarque 3)	TP3	515 kHz	La plus basse	L155	Max.
					1650 kHz	La plus haute	CT155	
					Répéter les étapes (1) et (2)			
5	(1) ANT. PO (poursuite)	• VTVM • Oscilloscope			600 kHz	600 kHz	L152	Max.
					1400 kHz	1400 kHz	CT152	
					Répéter les étapes (1) et (2)			
6	(1) OSC. GO (couverture)	• Générateur de signal AM (400 Hz, mod. 30%)	Antenne noyau en ferrite (Remarque 3)	TP3	145 kHz	La plus basse	L156	
					290 kHz	La plus haute	CT156	
					Répéter les étapes (1) et (2)			
7	(1) ANT. GO (poursuite)	• VTVM • Oscilloscope			160 kHz	160 kHz	L153	
					270 kHz	270 kHz	CT153	
					Répéter les étapes (1) et (2)			

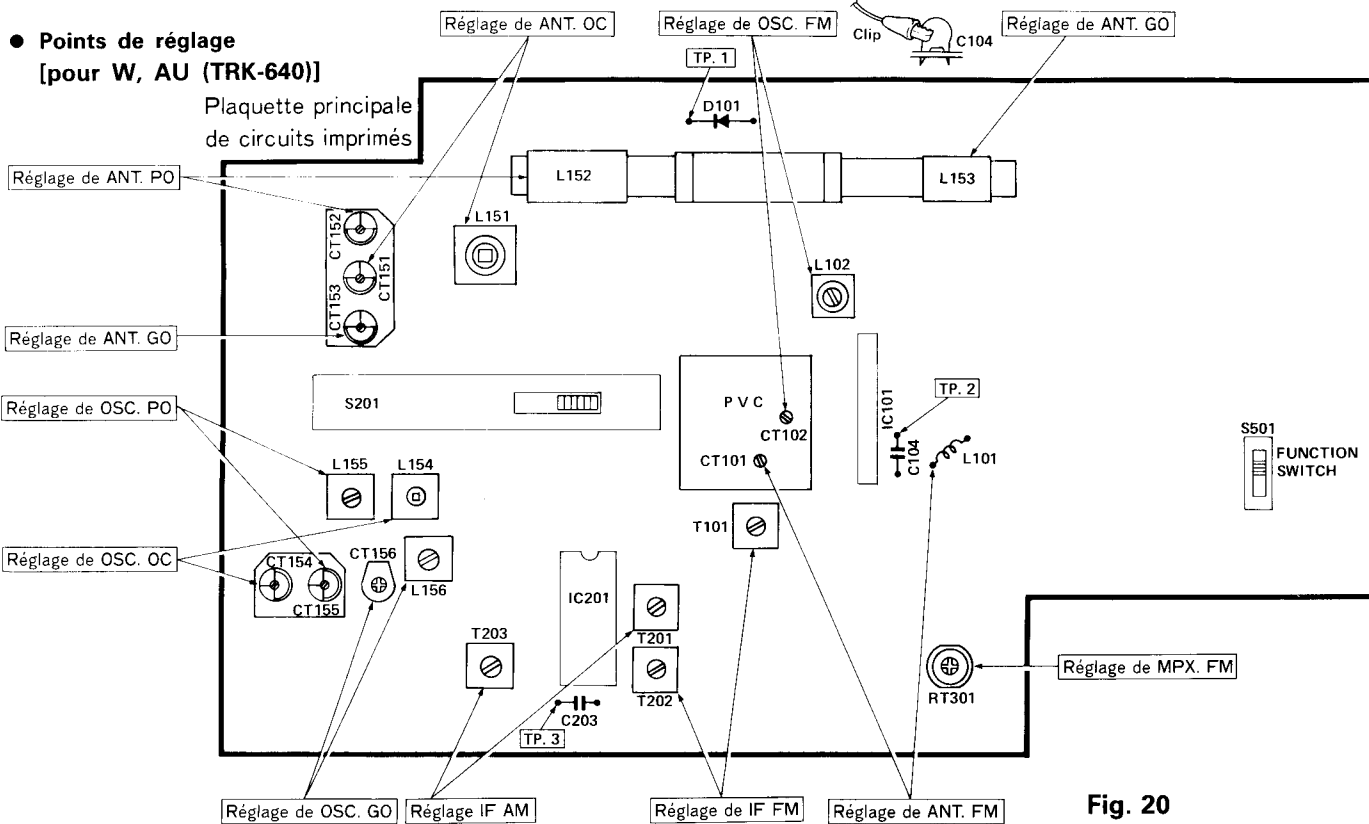


Fig. 20

(1)-2 Section AM pour W, AU (FM/OC2/OC1/PO 4 gammes)

Etape	Objet du réglage	Instrument de mesure et branchements			Généscope ou fréquence du générateur de signal	Position de l'aiguille du cadran	Réglage	Lecture
		Instrument de mesure	Borne d'entrée	Borne de sortie				
1	IF AM	• Généscope (455 kHz)	Antenne noyau en ferrite (Remarque 3)	TP3	455 kHz	La plus haute	T201 T203	(Remarque 1)
							Répéter étape (1)	
2	OSC. OC2 (couverture)	• Générateur de signal AM (400 Hz, mod. 30%) • VTVM	TP1 (par le biais d'une antenne OC fictive) (Remarque 2)	TP3	6,7 MHz	La plus basse	L154	Max.
					23 MHz	La plus haute	CT154	
					Répéter les étapes (1) et (2)			
3	ANT. OC2 (poursuite)	• VTVM • Oscilloscope			8 MHz	8 MHz	L151	Max.
					20 MHz	20 MHz	CT151	
Répéter les étapes (1) et (2)								
4	OSC. OC1 (couverture)	• Générateur de signal AM (400 Hz, mod. 30%) • VTVM	Antenne noyau en ferrite (Remarque 3)	TP3	2,2 kHz	La plus basse	L155	Max.
					7,3 kHz	La plus haute	CT155	
					Répéter les étapes (1) et (2)			
5	ANT. OC1 (poursuite)	• VTVM • Oscilloscope			2,7 kHz	2,7 kHz	L152	Max.
					6,3 kHz	6,3 kHz	CT152	
					Répéter les étapes (1) et (2)			
6	OSC. PO (couverture)	• Générateur de signal AM (400 Hz, mod. 30%) • VTVM	Antenne noyau en ferrite (Remarque 3)	TP3	515 kHz	La plus basse	L156	Max.
					1650 kHz	La plus haute	CT156	
					Répéter les étapes (1) et (2)			
7	ANT. PO (poursuite)	• VTVM • Oscilloscope			600 kHz	600 kHz	L153	Max.
					1400 kHz	1400 kHz	CT153	
					Répéter les étapes (1) et (2)			

● Points de réglage
[for H, HC (TRK-640)]

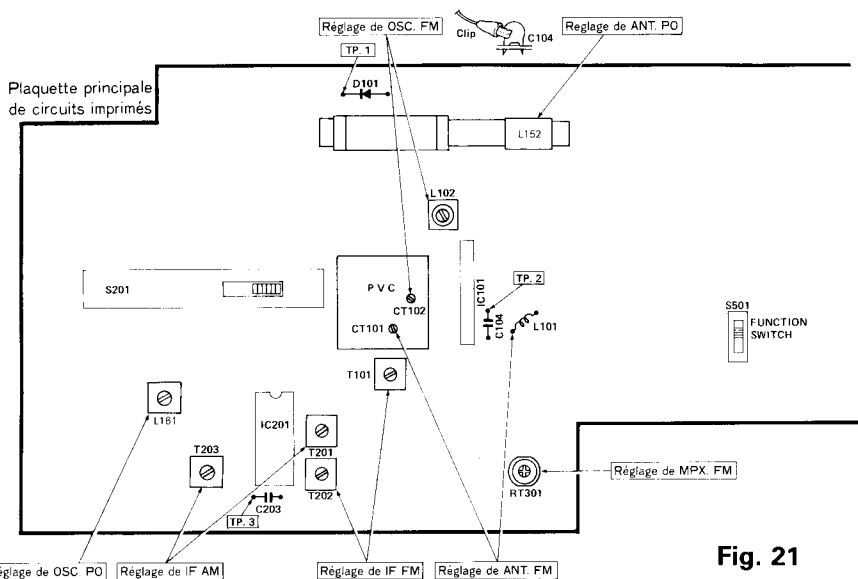


Fig. 21

(1)-3 Section AM pour H, HC (FM/PO 2 gammes)

Etape	Objet du réglage	Instrument de mesure et branchements			Généscope ou fréquence du générateur de signal	Position de l'aiguille du cadran	Réglage	Lecture
		Instrument de mesure	Borne d'entrée	Borne de sortie				
1	(1) IF AM	• Généscope (455 kHz)	Antenne noyau en ferrite (Remarque 3)	TP3	455 kHz	La plus haute	T201 T203	(Remarque 1)
	(2)						Répéter étape (1)	
2	(1) OSC. PO (couverture)	• Générateur de signal AM (400 Hz, mod. 30%) • VTVM • Oscilloscope	Antenne noyau en ferrite (Remarque 3)	TP3	515 kHz	La plus basse	L156	Max.
					1650 kHz	La plus haute	CT156	
					(3)	Répéter les étapes (1) et (2)		
3	(1) ANT. PO (poursuite)	• VTVM • Oscilloscope	Antenne noyau en ferrite (Remarque 3)	TP3	600 kHz	600 kHz	L153	Max.
					1400 kHz	1400 kHz	CT153	
					(3)	Répéter les étapes (1) et (2)		

TRK-640/650

(2)-1 Section FM

* : Pour E

Etape	Objet du réglage	Instrument de mesure et branchements			Généscope ou fréquence du générateur de signal	Position de l'aiguille du cadran	Réglage	Lecture
		Instrument de mesure	Borne d'entrée	Borne de sortie				
1	(1) IF FM	Tourner T202 à fond dans le sens des aiguilles d'une montre.			10,7 MHz	La plus haute	T101	(Remarque 5)
	(2) Courbe-S	• Généscope (10,7 MHz)	TP2	TP3			T202	(Remarque 6)
2	(1) OSC. FM (couverture)	• Générateur de signal FM (400 Hz, dév 30%) • Oscilloscope • VTVM	TP1 (par le biais d'une antenne FM fictive) (Remarque 7)	TP3	*87.4 MHz 87 MHz	La plus basse	L102	Max.
					*108.35 MHz 109 MHz	La plus haute	CT102	
					(3)	Répéter les étapes (1) et (2)		
3	(1) ANT. FM (poursuite)	• VTVM	TP1 (par le biais d'une antenne FM fictive) (Remarque 7)	TP3	90 MHz	90 MHz	L101	Max.
					106 MHz	106 MHz	CT101	
					(3)	Répéter les étapes (1) et (2)		
4	(1) MPX FM (Multiplex)	• Fréquencemètre	Brancher un condensateur électrolytique de 10 µF/25V entre la broche n° 1 du IC301 et la masse (GND).	Broche n° 6 du IC301	—	—	RT301	38 kHz ±50 Hz (Remarque 8)

TRK-P65

● Emplacements de réglage

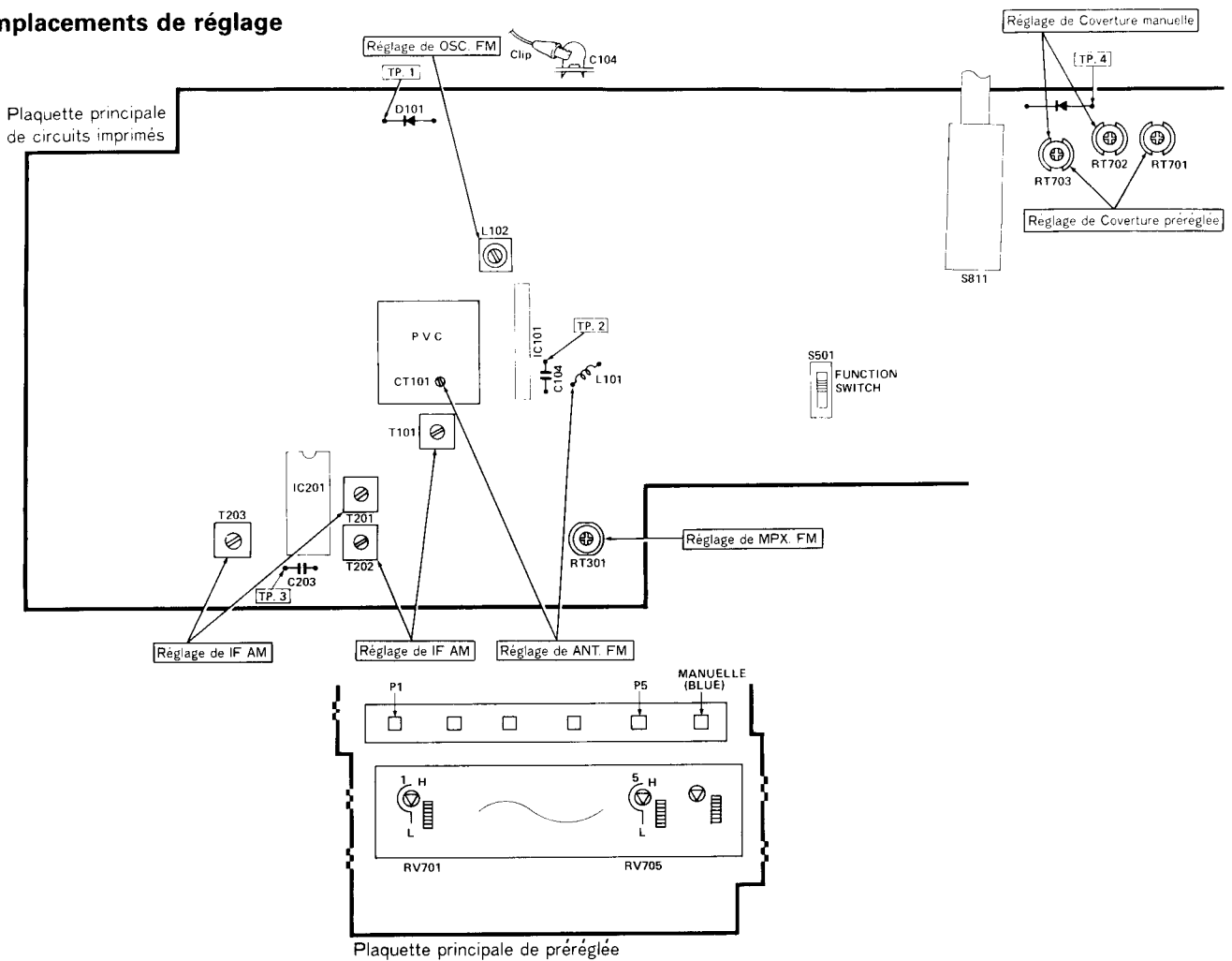


Fig. 22

TRK-P65

(2)-2 Section FM

Etape	Objet du réglage	Instrument de mesure et branchements			Généscope ou fréquence du générateur de signal	Position de l'aiguille du cadran	Réglage	Lecture
		Instrument de mesure	Borne d'entrée	Borne de sortie				
1	(1) IF FM	Tourner T202 à fond dans le sens des aiguilles d'une montre.			10,7 MHz	La plus haute	T101	(Remarque 4)
	(2) Courbe-S	• Généscope (10,7 MHz)	TP2	TP3			T202	(Remarque 5)
2	(1) ANT. FM (poursuite)	• Générateur de signal FM (400 Hz, dév. 30%) • Oscilloscope • VTVM	TP1 (par le biais d'une antenne FM fictive) (Remarque 6)	TP3	90 MHz	90 MHz	L101	Max.
					106 MHz	106 MHz	CT101	
					Répéter les étapes (1) et (2)			
3	(1) MPX FM (Multiplex)	• Fréquencemètre	Brancher un condensateur électrolytique de 10 µF/25V entre la broche n° 1 du IC301 et la masse (GND).		—	—	RT301	38 kHz ±50 Hz (Remarque 7)

Coverture FM

Etape		Fréquence du générateur de signal	Préréglage canaux et position de l'aiguille du cadran	Tension de TP4	Réglage	Lecture	Remarque
4-1	Coverture préréglée	—	—	3,0V±0,1	RT703	Voltmètre CC	*1 Brancher le voltmètre CC sur TP4
4-2		*2 Voir (1), (2)	P1 enclenché (ON)	—	RV701	TP3 Max.	Fixer le RV701 après avoir recherché la fréquence la plus basse.
4-3		*2 Voir (3), (4)	P5 enclenché (ON)	—	RV705		Fixer le RV705 après avoir recherché la fréquence la plus haute.
4-4		87,4 ^{+0,1} / _{-0,2} MHz	P1 enclenché (ON)	—	L102		
4-5		(1)	108,35 ^{+0,15} / _{-0,35} MHz	P5 enclenché (ON)	—		RT701
	(2)	—	3,0V±0,1		RT703		
(3)	Répéter les étapes (1) et (2)						
4-6	Coverture manuelle	87,4 ^{+0,1} / _{-0,2} MHz	MANUAL enclenché (ON) Aiguille sur la position la plus basse.	—	RT702	TP3 Max.	
		—		3,0V±0,1	RT703		
		Répéter les étapes (1) et (2)					

*1. Veuillez utiliser un voltmètre CC à impédance interne élevée pour les mesures de la tension de TP4.

*2. Comment régler le RV701 (le plus bas) et RV705 (le plus haut)

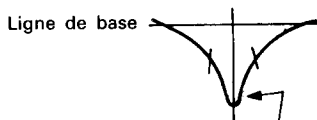
- (1) Régler le RV701 au niveau le plus bas et recevoir le signal provenant du générateur de signal.
- (2) Régler et rechercher la fréquence la plus basse de façon à changer le RV701 et la fréquence du

générateur de signal.

- (3) Régler le RV705 au niveau le plus haut et recevoir le signal provenant du générateur de signal.
- (4) Régler et rechercher la fréquence la plus haute de façon à changer le RV705 et la fréquence du générateur de signal.

Remarque:

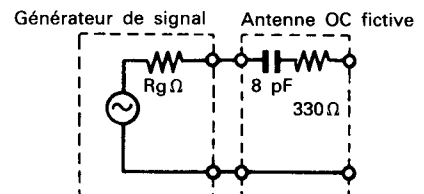
1. Appliquer un signal faible du généscope. Régler T201 et T203 afin d'obtenir un gain maximum et la forme d'onde de la Fig. 23.



Régler la sortie du généscope de façon à ce qu'il y ait un peu de bruit au niveau du front d'onde.

Fig. 23

2. Antenne OC fictive



Rg : impédance de sortie du générateur de signal

Fig. 24

- Relier le générateur de signal AM à l'antenne-cadre. La rapprocher de l'antenne noyau en ferrite.
- Appliquer un signal faible du généscope sur TP2. Régler T101 afin d'obtenir un gain maximum et la forme d'onde de la Fig. 25. Si le centre de la forme d'onde ne peut pas être aligné sur le marqueur, régler la balance droite/gauche.

Régler la sortie du généscope de façon à ce qu'il y ait un peu de bruit au niveau du front d'onde.

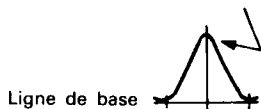


Fig. 25

- Utiliser le noyau de T202 pour former la courbe-S indiquée sur la Fig. 26. Régler la symétrie de A et B au niveau du point C pour la linéarité.

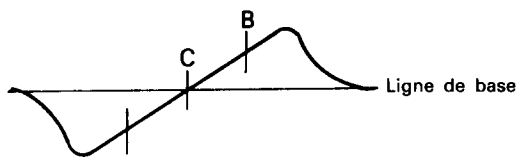


Fig. 26

2. SECTION LECTEUR-ENREGISTREUR DE CASSETTE

Effectuer les réglages suivants dans l'ordre indiqué après avoir nettoyé la tête, le galet-presseur et le cabestan avec un coton-tige imbibé d'alcool. (Remarque 1)

Etape	Objet de réglage	Instrument de mesure et branchements			Band de vérification	Mode	Réglage	Lecture
		Instrument de mesure	Borne d'entrée	Borne de sortie				
1	Vitesse de défilement	• Fréquence-mètre	—	Borne haut-parleurs	Bande de réglage de vitesse de défilement (3 kHz)	Resistor semivariable dans le moteur	Resistor semivariable dans le moteur (Fig. 29)	3 kHz ± 20 Hz (Remarque 2)
2	Azimuth de tête	• VTVM	—	Borne haut-parleurs	Bande de réglage d'azimuth de tête (10 kHz)	Reproduction	Vis de réglage d'azimuth (Fig. 29)	Sortie max. (Remarque 3)

Remarque :

- Régler dans une plage de 30 sec. après une mise sous tension de 20 minutes au moins.
- Quand les valeurs maximale des deux canaux sont différentes, réglez alors sur la valeur maximale du canal gauche. Dans ce cas, la différence entre les valeurs maximales des deux canaux doivent être au dedans de 2 dB.
- Si les valeurs maximales des deux canaux diffèrent, régler sur la valeur maximale du canal de gauche (L). Dans ce cas, la différence entre les valeurs maximales des deux canaux doit être comprise dans une plage de 2 dB.

- Antenne FM fictive

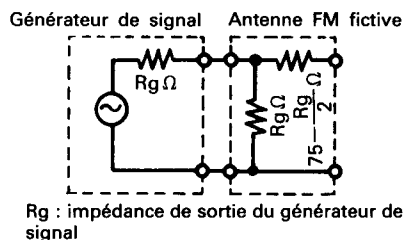


Fig. 27

- Relier le fréquencesmètre sur la broche n°6 du IC301 et brancher une résistance de 220 kΩ en parallèle avec le fréquencesmètre.

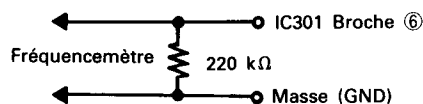
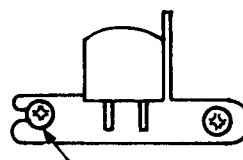


Fig. 28

Tête de reproduction/lecture



Vis de réglage d'azimuth

Fig. 29

3. Réglage du châssis de cassette

No.	Point d'inspection	Valeur de référence	Observation
1	Valeur de compression de galet presseur	Bande: 300-500 g	(Remarque 1) Dynamomètre de Tension
2	Coupe en lecture	Bande: 40-70 g	Cassette de coupe d'entrafnement
3	Coupe avance rapid/rebobinage	65-140 g	Cassette de coupe d'entrafnement
4	Tension bobine débitriee	Bande: 2.0-6.0 g · cm	Cassette de coupe d'entrafnement
5	Force de défilement de bande	Bande: 120 g · min	Cassette de coupe d'entrafnement
6	Jeu axial sur volant	0.05-0.5 mm	Cassette de coupe d'entrafnement

LUBRIFICATION

Appliquer une ou deux gouttes d'huile moteur ou d'huile Sonic pour curseur, sur les membres rotatifs. De la graisse Molycoat (EL-10M) est appliquée sur les membres coulissants.

Lubrifier une fois par an ou toutes les 1 000 heures de fonctionnement.

Veiller à ne pas appliquer d'huile sur les courroies ou les galets.

Membres rotatifs	Entre les parties métalliques	Huile moteur (10W-40)
	Entre le moulage et les parties métalliques	Huile Sonic pour curseur (# 1600)
Membres coulissants	(Remarque) Entre moulures	Molycoat (EL-10M)
	Entre moulures et pièces métalliques	
Prévention de vibration de ressort		Floyl (GB-TS-1)

Remarque:

Lorsque le châssis avant et le bouton curseur doivent être remplacés, appliquer une couche légère de graisse blanche sur les parties de contact.

ENTRETIEN

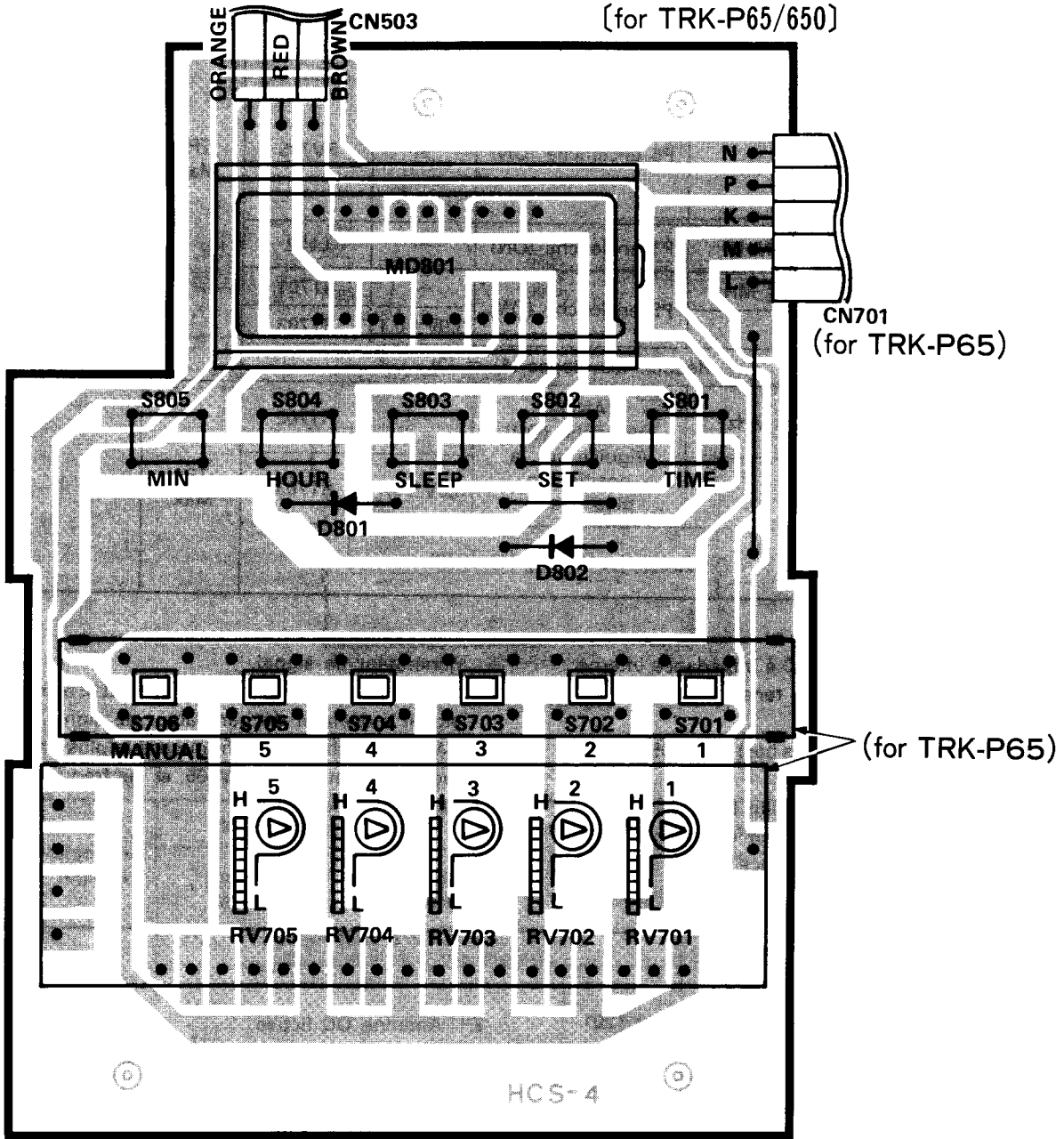
■ Nettoyage du coffret et des panneaux lorsqu'ils sont sales

Enlever la poussière des surfaces de l'appareil avec un chiffon sec. Ne jamais utiliser de solvants, de benzine ou d'alcool car ils abîmeraient le fini des surfaces.

TA7358P TA7343AP	TA6740AP	AN7312	μPC1316C	2SA844E 2SC1684R 2SC1815GR 2SD592AR	HIT8050C	HIT5609C HIT9011GH
2SB605LA	1N4148 1S2790 1SS81	1N4001	MTZ6.2A	1SV50	μPC574J	

PRESET/TIMER P.W.B.

[for TRK-P65/650]



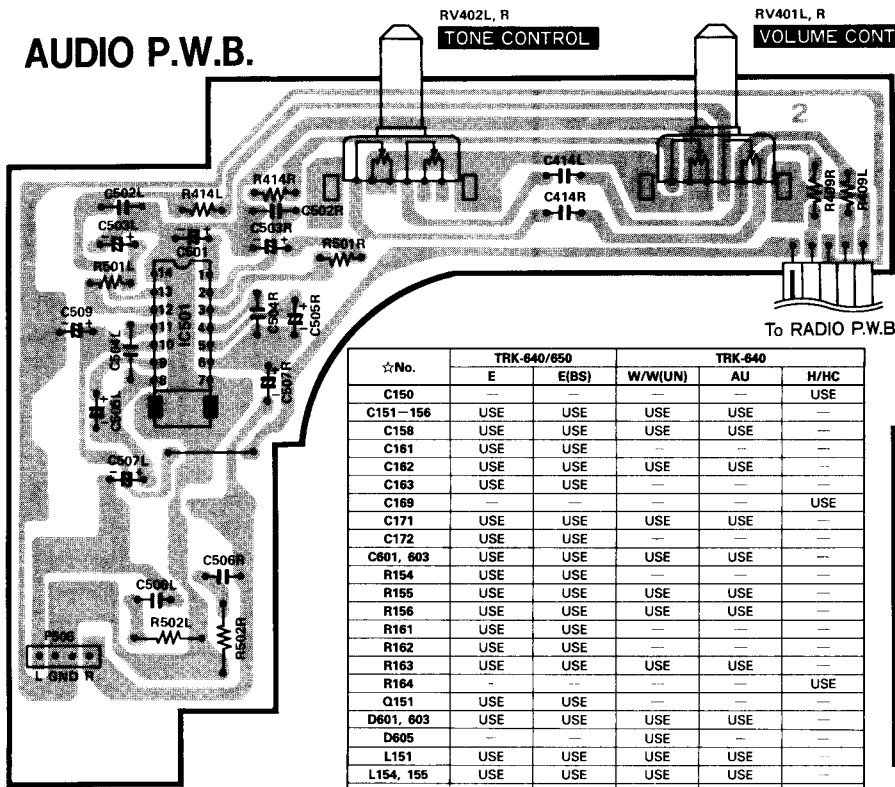
S701-706

PRESET SWITCH

RV701-705

PRESET VOLUME CONTROL

AUDIO P.W.B.



RV402L, R
TONE CONTROL

RV401L, R
VOLUME CONTROL

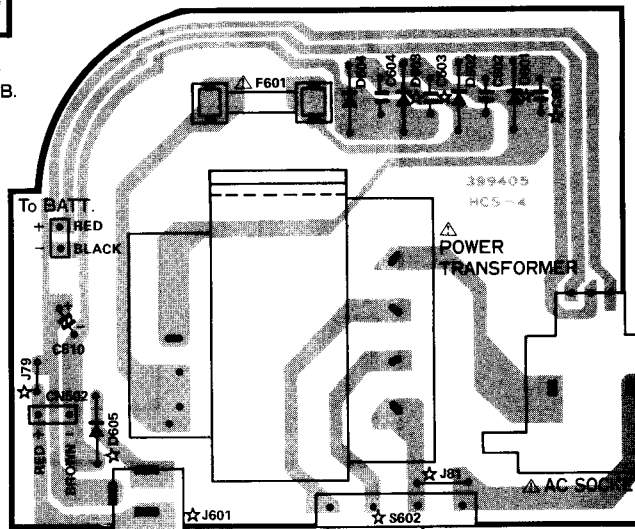
To RADIO P.W.B.

☆No.	TRK-640/650		TRK-640		
	E	E(BS)	W/W(UN)	AU	H/HC
C150	—	—	—	—	USE
C151-156	USE	USE	USE	USE	—
C158	USE	USE	USE	USE	—
C161	USE	USE	—	—	—
C162	USE	USE	USE	USE	—
C163	USE	USE	—	—	—
C169	—	—	—	—	USE
C171	USE	USE	USE	USE	—
C172	USE	USE	—	—	—
C601, 603	USE	USE	USE	USE	—
R154	USE	USE	—	—	—
R155	USE	USE	USE	USE	—
R156	USE	USE	USE	USE	—
R161	USE	USE	—	—	—
R162	USE	USE	—	—	—
R163	USE	USE	USE	USE	—
R164	—	—	—	—	USE
Q151	USE	USE	—	—	—
D601, 603	USE	USE	USE	USE	—
D605	—	—	USE	—	—
L151	USE	USE	USE	USE	—
L154, 155	USE	USE	USE	USE	—
L156, 161	L156	L156	L156	L156	L161
L171	USE	USE	USE	USE	—
CT151-156	USE	USE	USE	USE	—
S602	—	—	USE	—	—
FERRITE ANTENNA	A	A	B	B	C
Jumper 1, 7	USE	USE	USE	USE	—
Jumper 3-5	USE	USE	USE	USE	—
Jumper 10, 11	USE	USE	USE	USE	—
Jumper 15, 16	USE	USE	USE	USE	—
Jumper 17, 18	USE	USE	USE	USE	—
Jumper 19	—	—	USE	USE	—
Jumper 20	USE	USE	USE	USE	—
Jumper 79	USE	USE	—	USE	USE
Jumper 81	USE	USE	—	USE	USE
Jumper 104, 105	—	—	—	—	USE
Jumper 601	—	—	USE	—	—

MIC P.W.B.

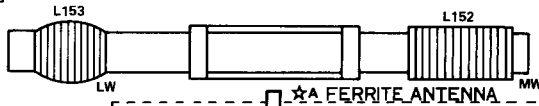
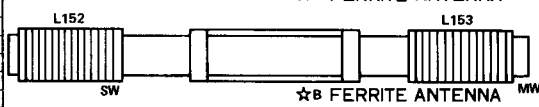


LED P.W.B.

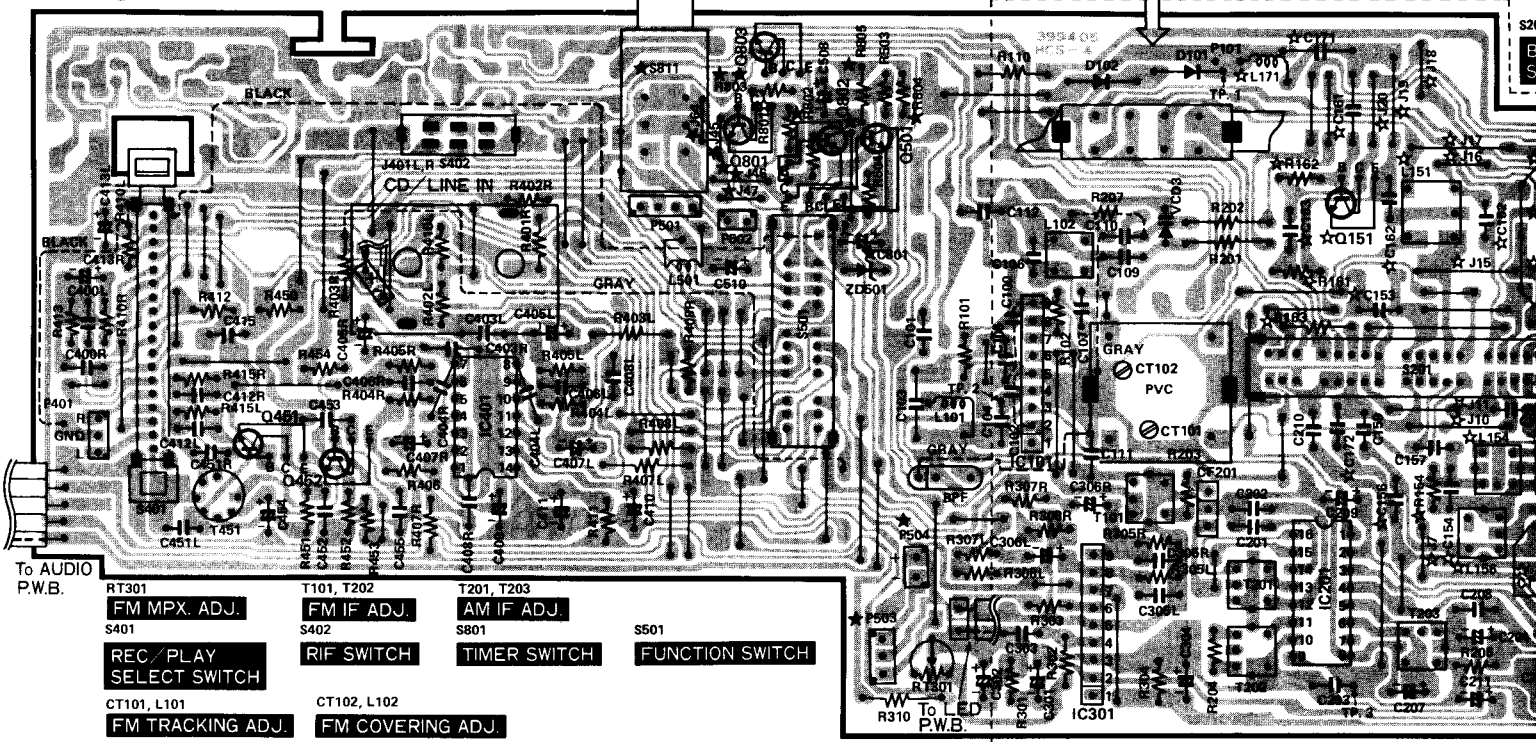


DC JACK

VOLTAGE SELECT SWITCH

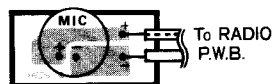


RADIO P.W.B.



- RT301 FM MPX. ADJ.
- S401 REC / PLAY SELECT SWITCH
- CT101, L101 FM TRACKING ADJ.
- T101, T202 FM IF ADJ.
- S402 RIF SWITCH
- CT102, L102 FM COVERING ADJ.
- T201, T203 AM IF ADJ.
- S801 TIMER SWITCH
- S501 FUNCTION SWITCH

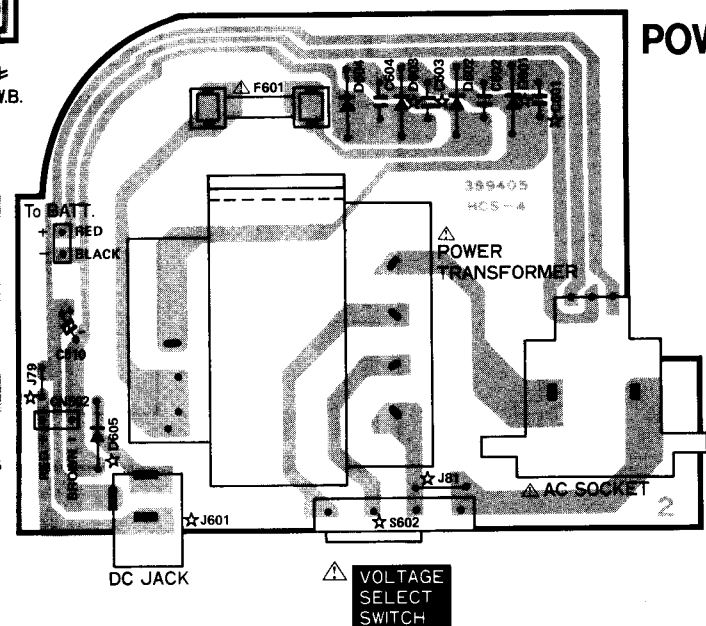
MIC P.W.B.



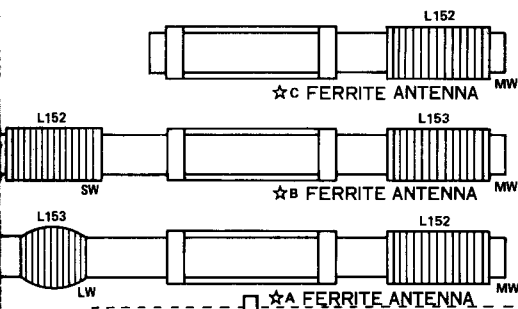
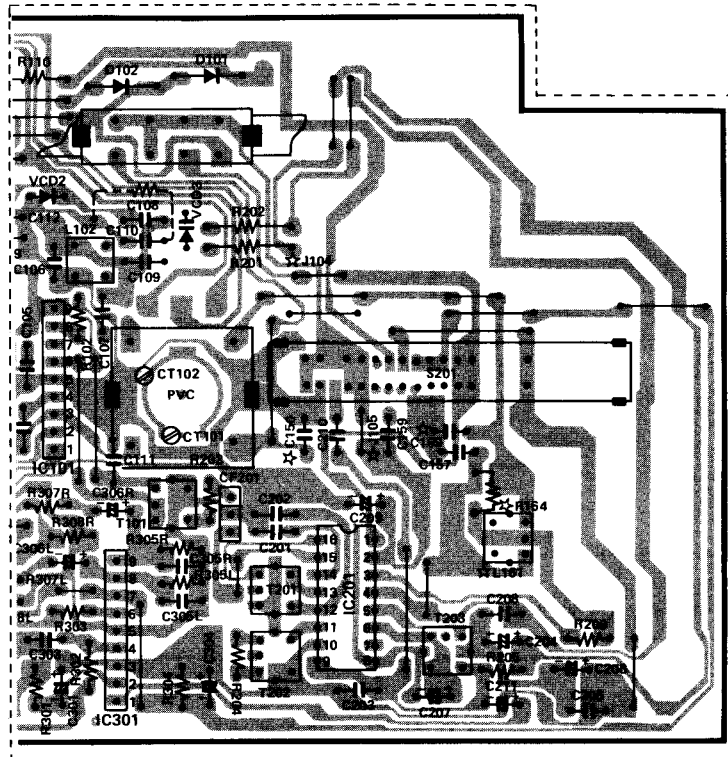
LED P.W.B.



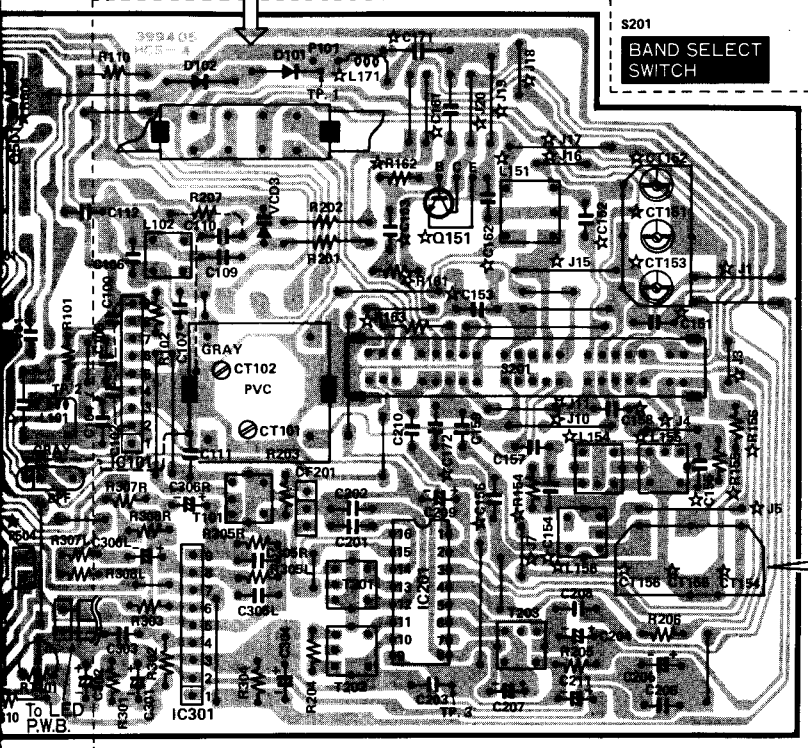
POWER P.W.B.



for H, HC only

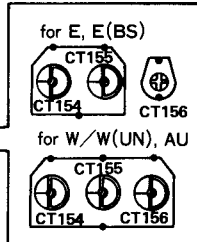


BAND SELECT SWITCH



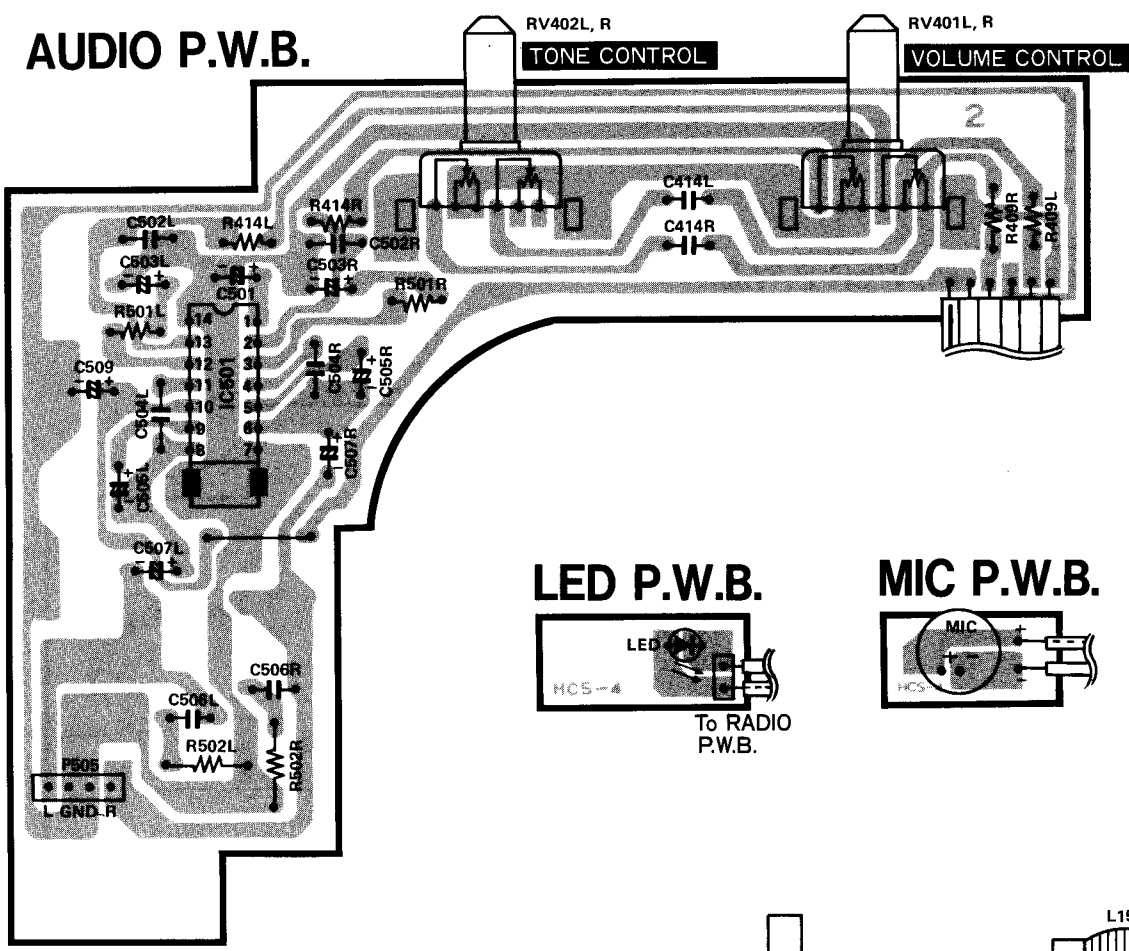
- CT151, L151(for E, E(BS)) SW ANT. ADJ.
- CT151, L151(for W/W(UN), AU) SW2 ANT. ADJ.
- CT152, L152(for E, E(BS)) MW ANT. ADJ.
- CT152, L153(for W/W(UN), AU) SW1 ANT. ADJ.
- CT153, L153(for E, E(BS)) LW ANT. ADJ.
- CT153, L152(for W/W(UN), AU) MW ANT. ADJ.
- CT153, L155(for E, E(BS)) MW OSC. ADJ.
- CT156, L156(for W/W(UN), AU) MW OSC. ADJ.
- CT154, L154(for E, E(BS)) SW OSC. ADJ.
- CT155, L155(for W/W(UN), AU) SW1 OSC. ADJ.
- CT154, L156(for E, E(BS)) LW OSC. ADJ.
- CT154, L154(for W/W(UN), AU) SW1 OSC. ADJ.

TOP VIEW

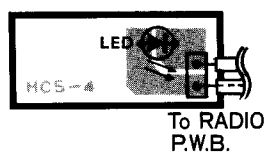


★No.	TRK-640	TRK-650
C801	---	USE
R801	---	USE
R802	---	USE
R803	---	USE
R804	---	USE
R805	---	USE
Q801	---	USE
Q802	---	USE
Q803	---	USE
S811	---	USE
P503	---	USE
P504	---	USE
Jumper 45	---	USE
Jumper 46	---	USE
Jumper 47	---	USE
Jumper 64	USE	---
Jumper 106	---	USE

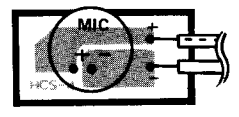
AUDIO P.W.B.



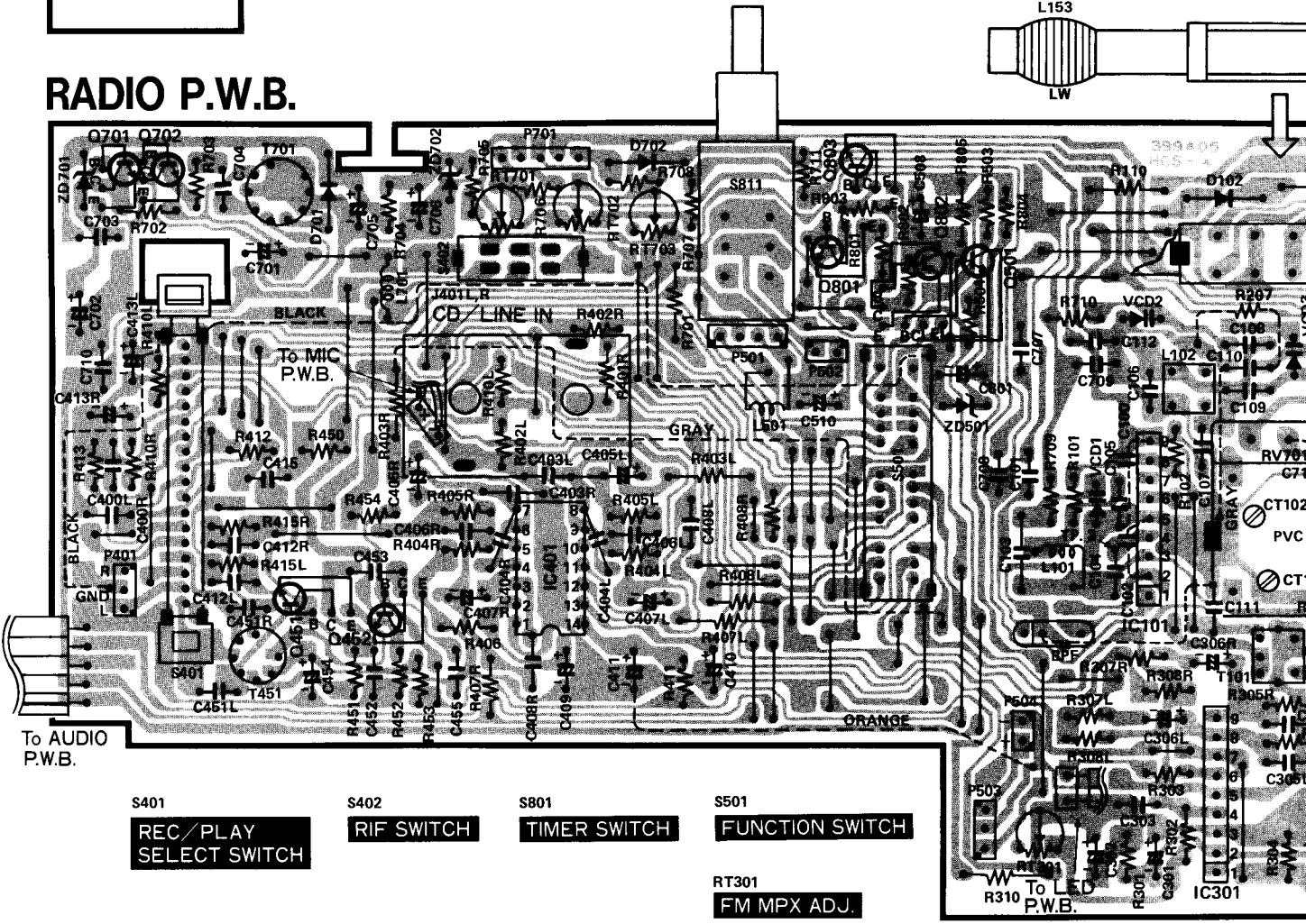
LED P.W.B.



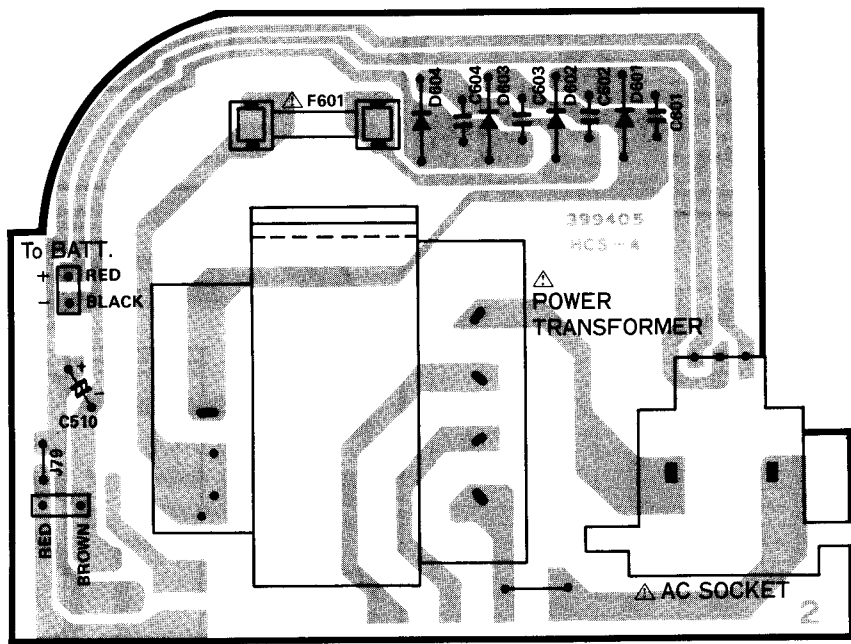
MIC P.W.B.



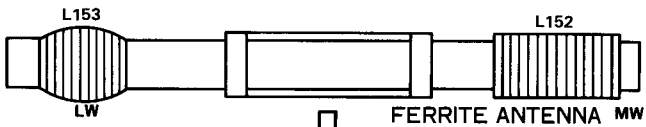
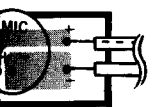
RADIO P.W.B.



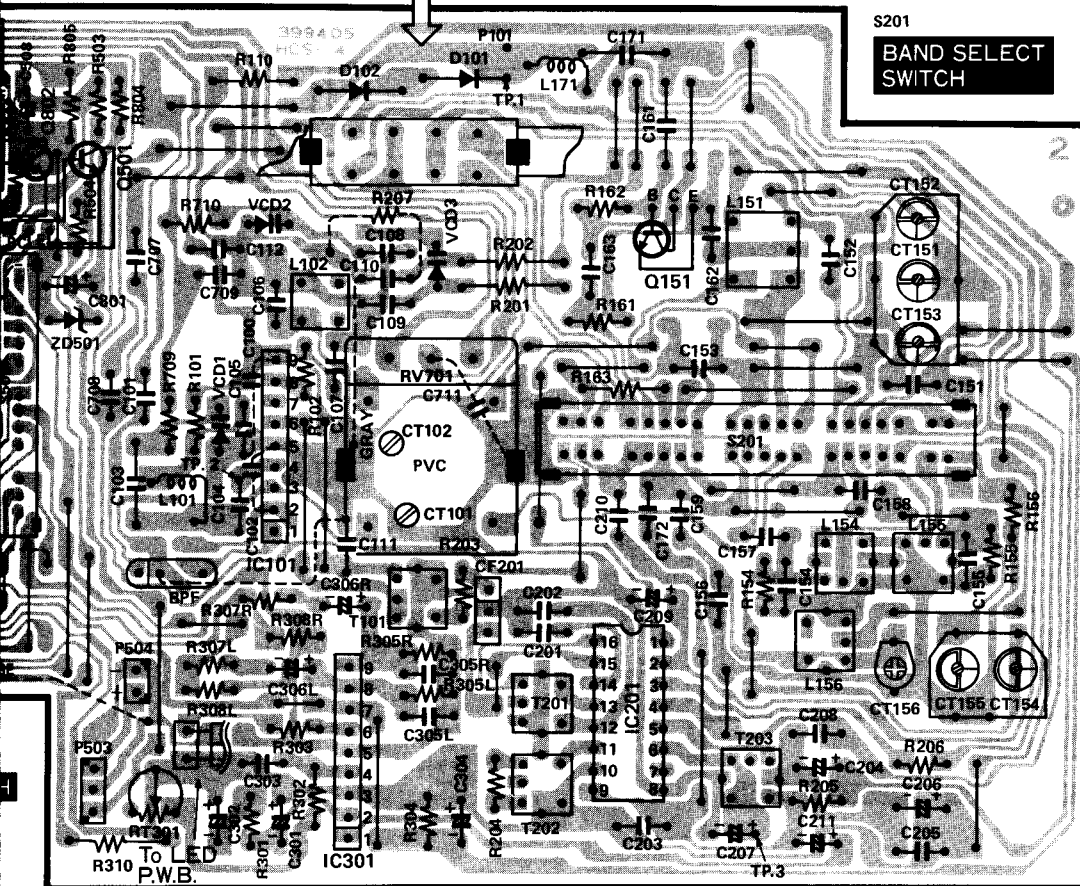
POWER P.W.B.



C.P.W.B.



FERRITE ANTENNA MW



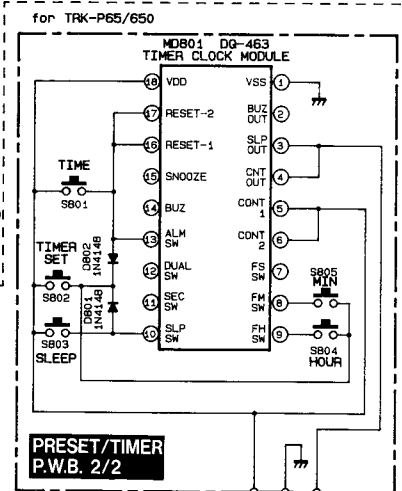
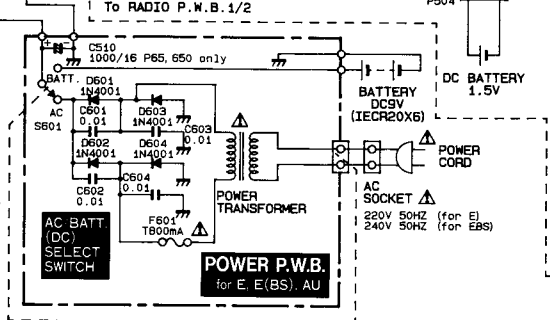
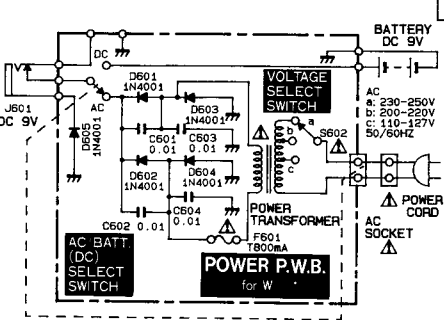
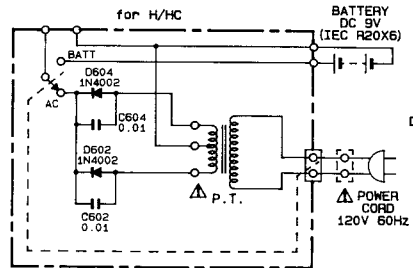
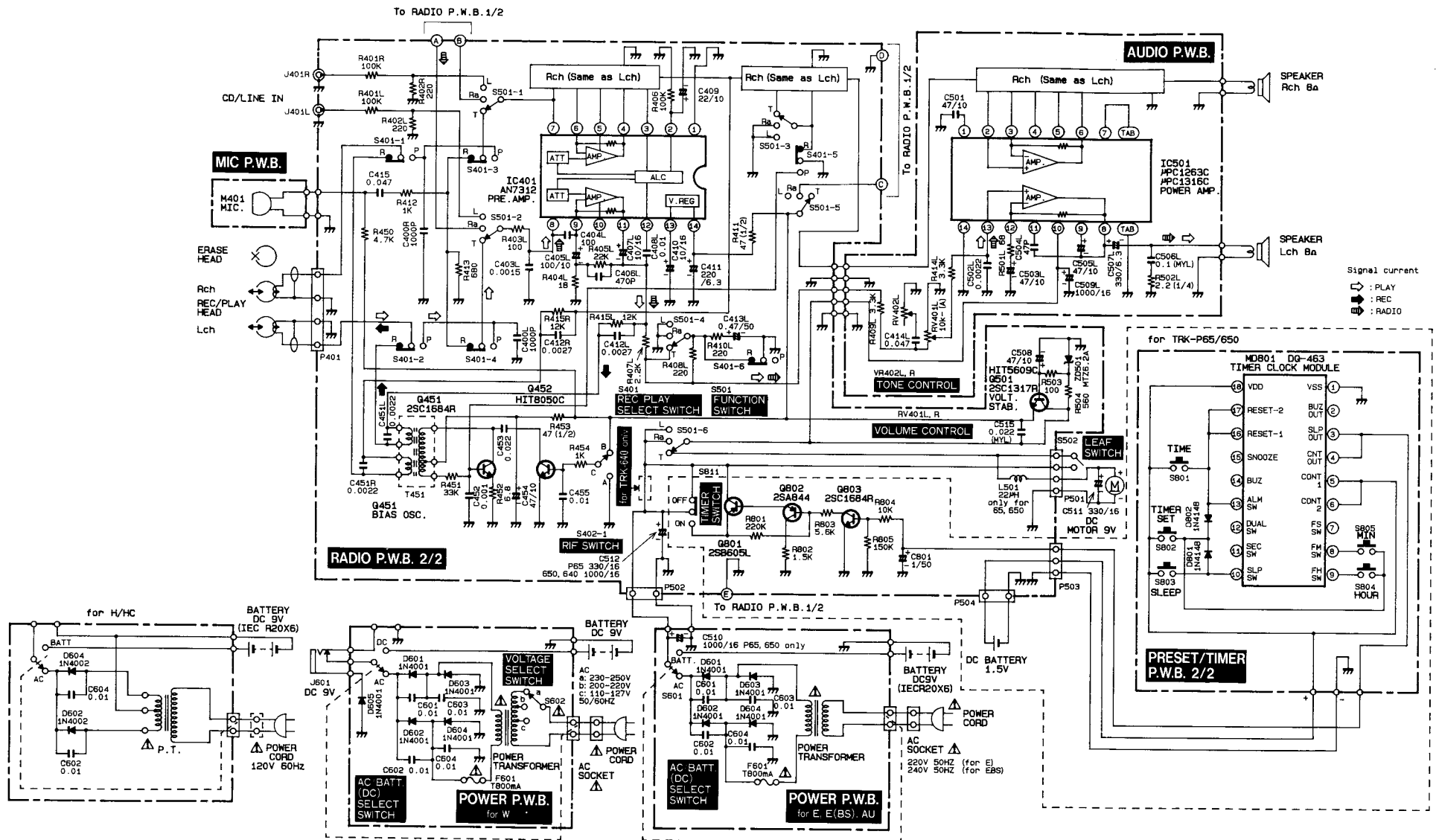
S201
BAND SELECT SWITCH

- T201, T203
AM IF ADJ.
- T101, T202
FM IF ADJ.
- L151, CT151
SW ANT. ADJ.
- L152, CT152
MW ANT. ADJ.
- L153, CT153
LW ANT. ADJ.
- L154, CT154
SW OSC. ADJ.
- L101, CT101
FM TRACKING ADJ.
- L102, CT102
FM COVERING ADJ.

CIRCUIT DIAGRAM PLAN DE CIRCUIT

TRK-640/TRK-650/TRK-P65

A
B
C
D
E
F
G



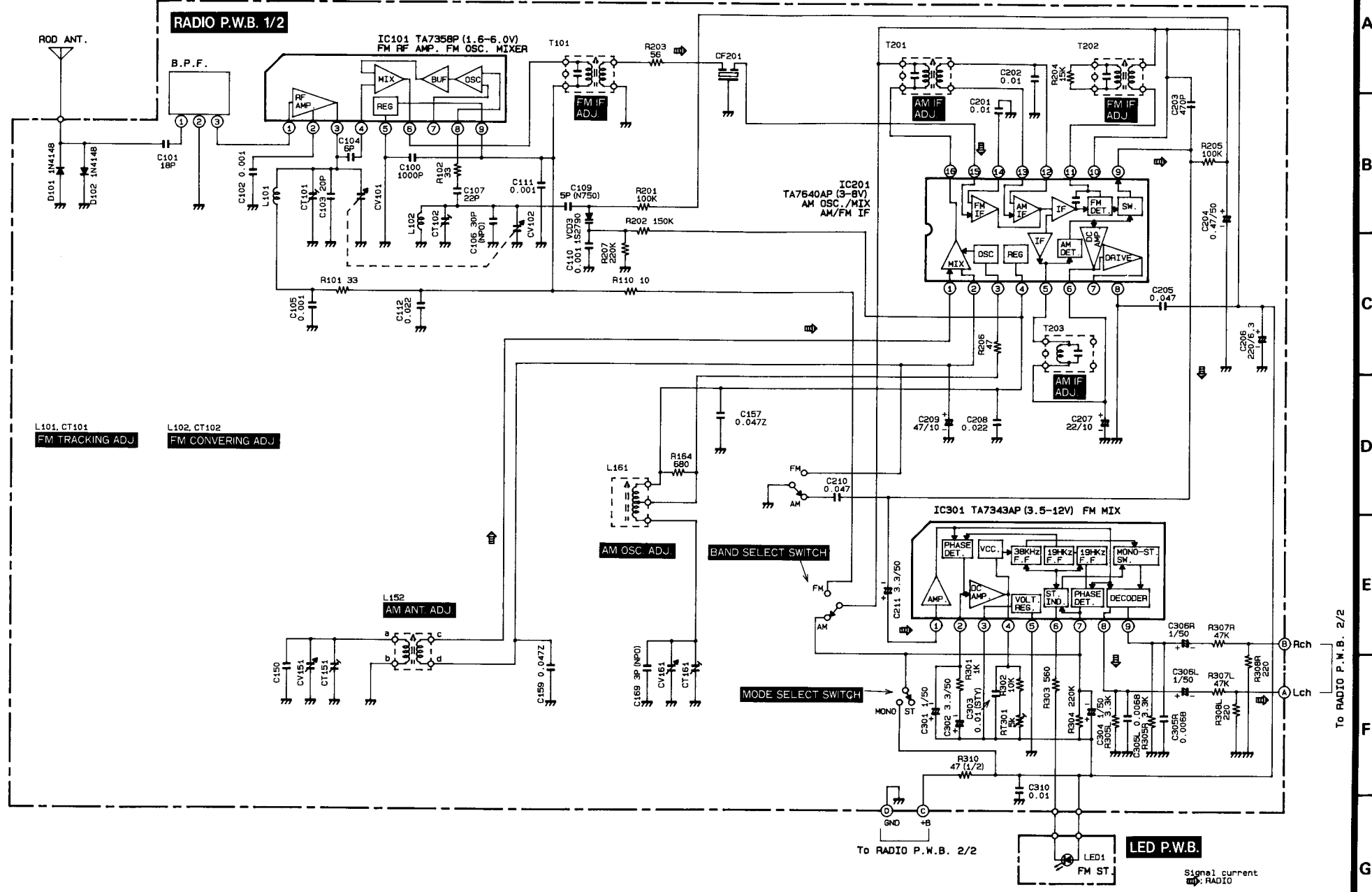
Signal current
 ↗ : PLAY
 ↘ : REC
 ⇄ : RADIO

TRK-640
TRK-650
TRK-P65

1 2 3 4 5 6 7 8 9

**CIRCUIT DIAGRAM
PLAN DE CIRCUIT**

TRK-650 (for H, HC)



L101, CT101
FM TRACKING ADJ.

L102, CT102
FM CONVERGING ADJ.

AM OSC. ADJ.

L152
AM ANT. ADJ.

MODE SELECT SWITCH

To RADIO P.W.B. 2/2

LED P.W.B.
LED1
FM ST.

Signal current
FM: RADIO

To RADIO P.W.B. 2/2

A
B
C
D
E
F
G

1 2 3 4 5 6 7 8 9

TRK-640
TRK-650
TRK-P65

A

B

C

D

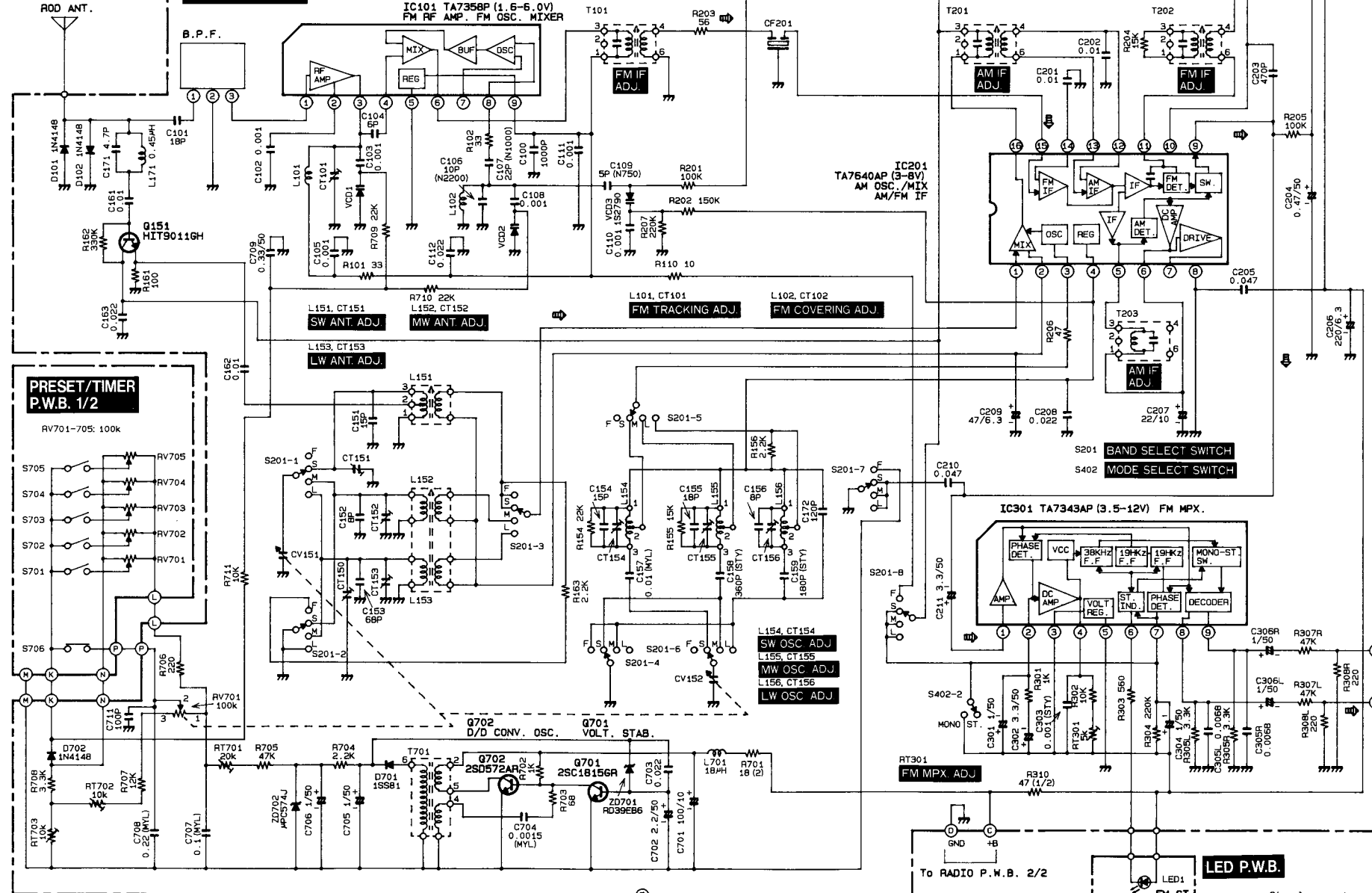
E

F

G

To RADIO P.W.B. 2/2

RADIO P.W.B. 1/2

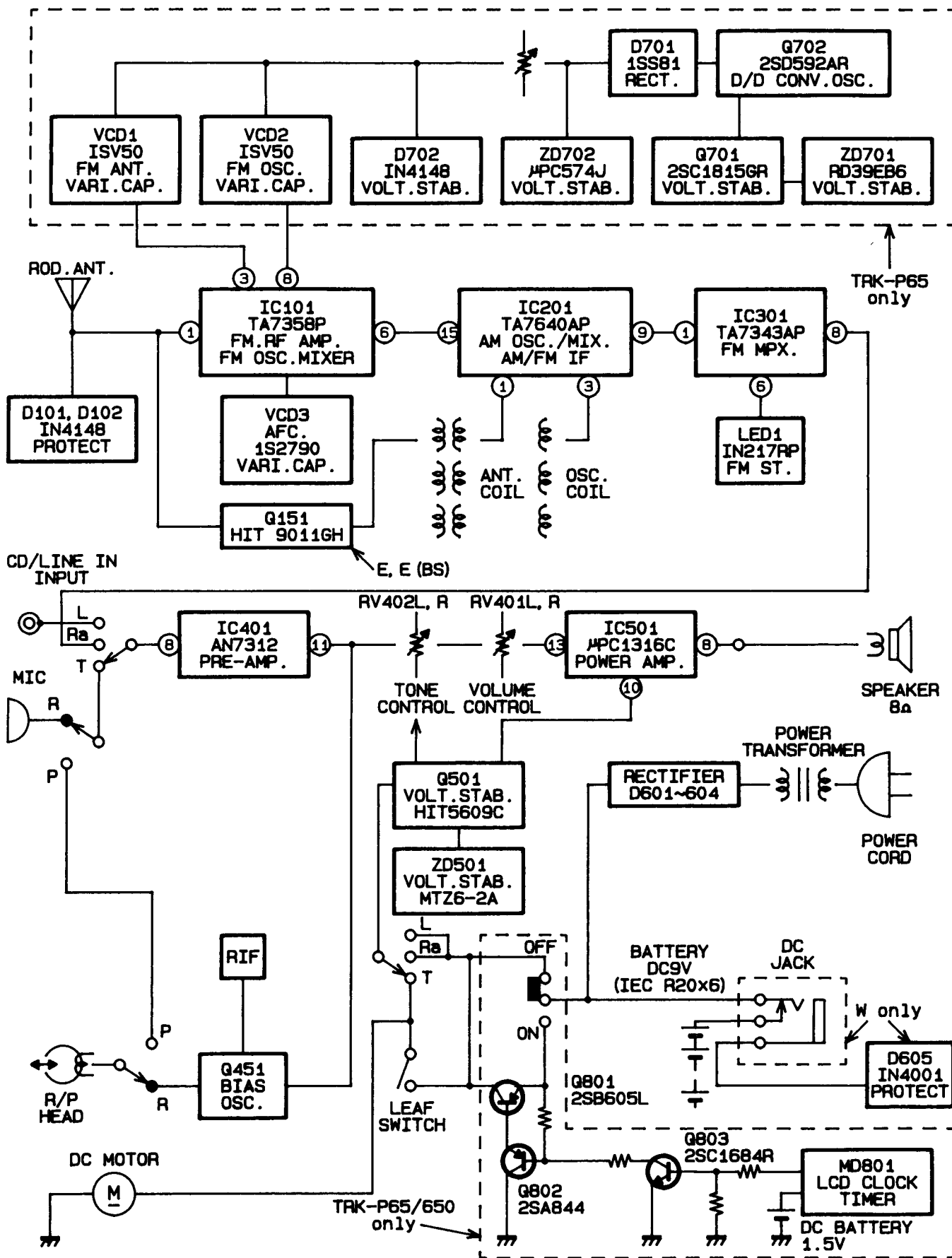


To RADIO P.W.B. 2/2

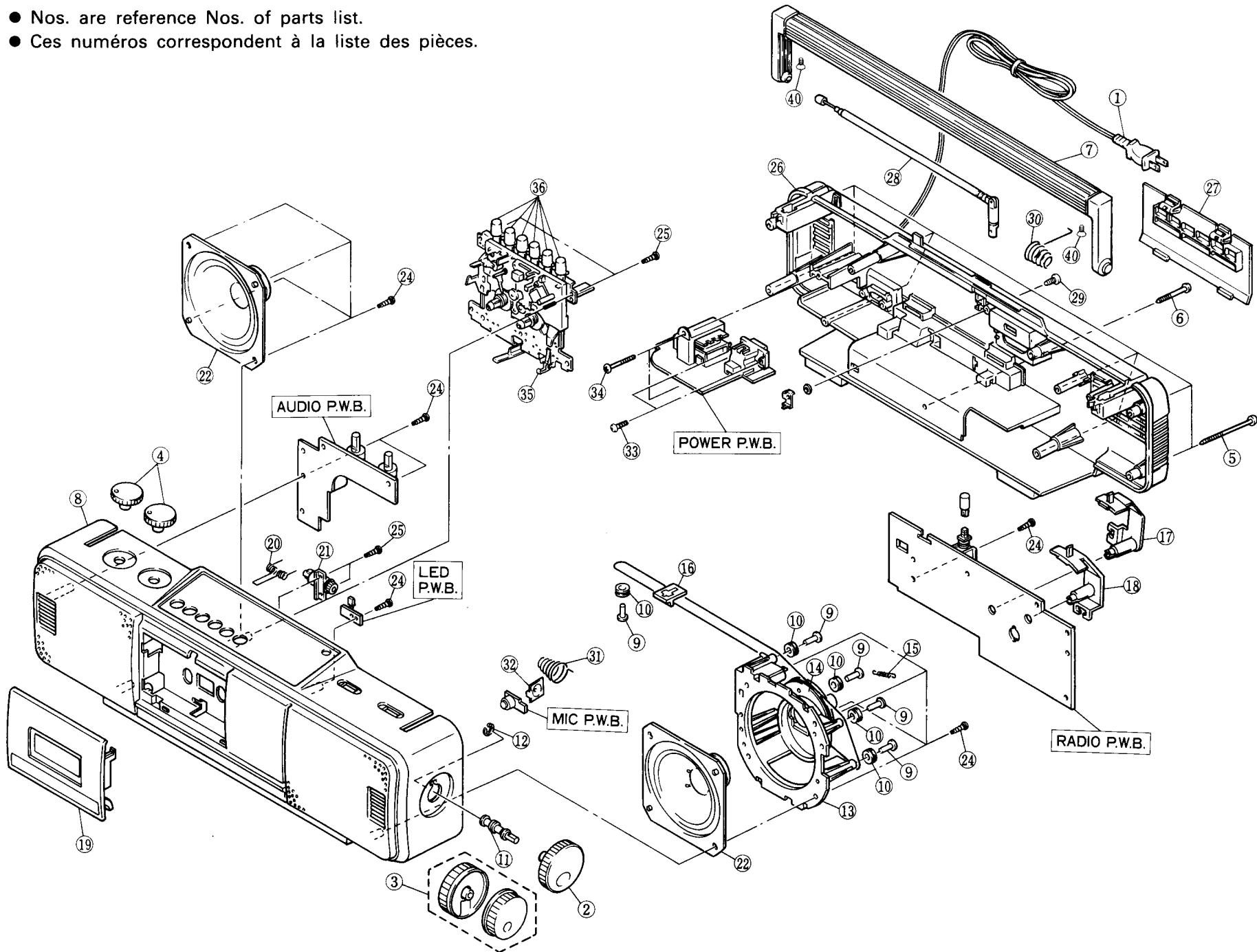
To RADIO P.W.B. 2/2

Signal current
RADIO

BLOCK DIAGRAM · SCHEMA



- Nos. are reference Nos. of parts list.
- Ces numéros correspondent à la liste des pièces.



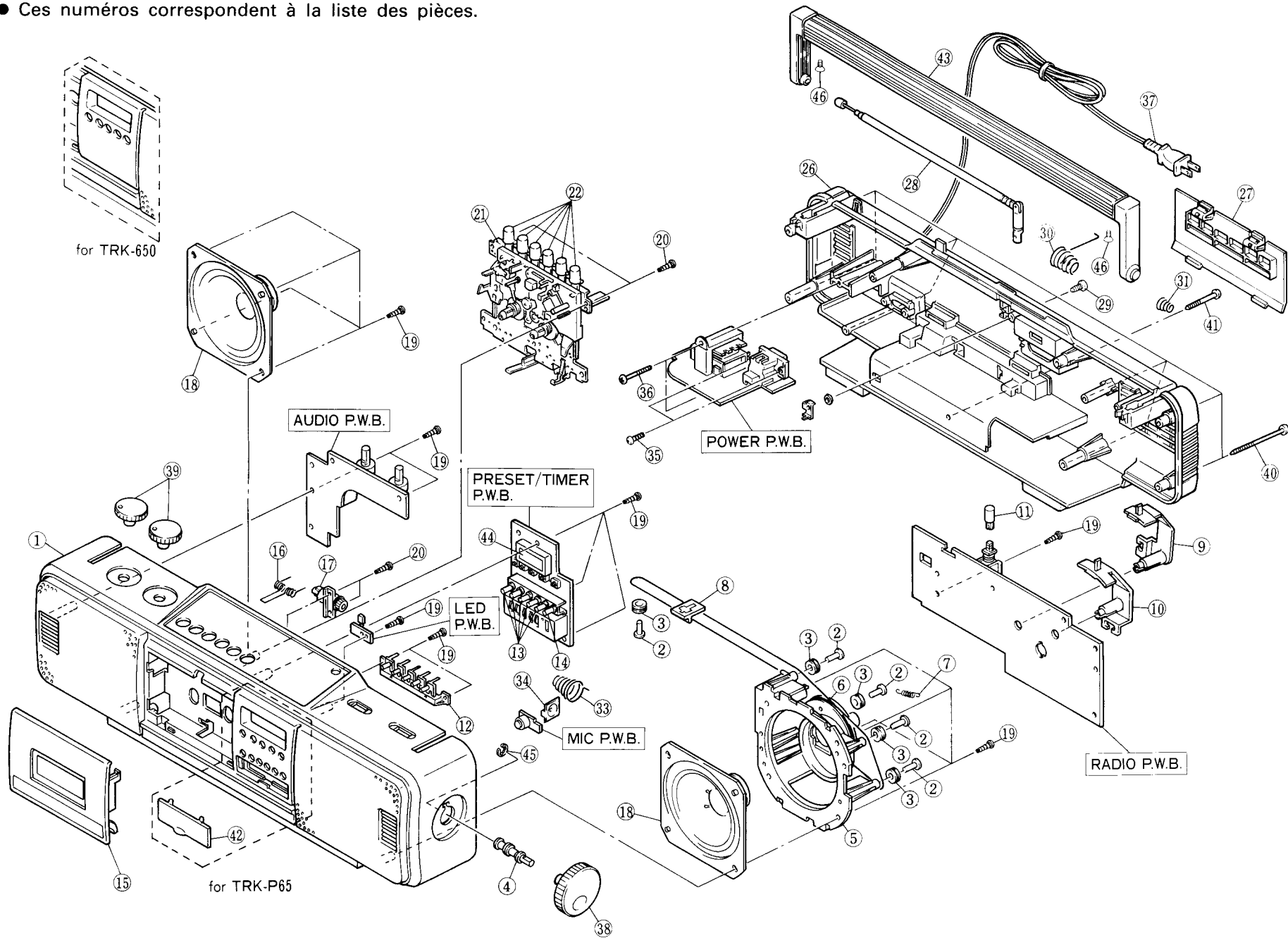
TRK-650
TRK-P65

EXPLODED VIEW · VUE EXPLOSEE
(Cabinet)
(Coffret)

TRK-640

EXPLODED VIEW · VUE EXPLOSEE
(Cabinet) (Coffret)

- Nos. are reference Nos. of parts list.
- Ces numéros correspondent à la liste des pièces.



A
B
C
D
E
F
G

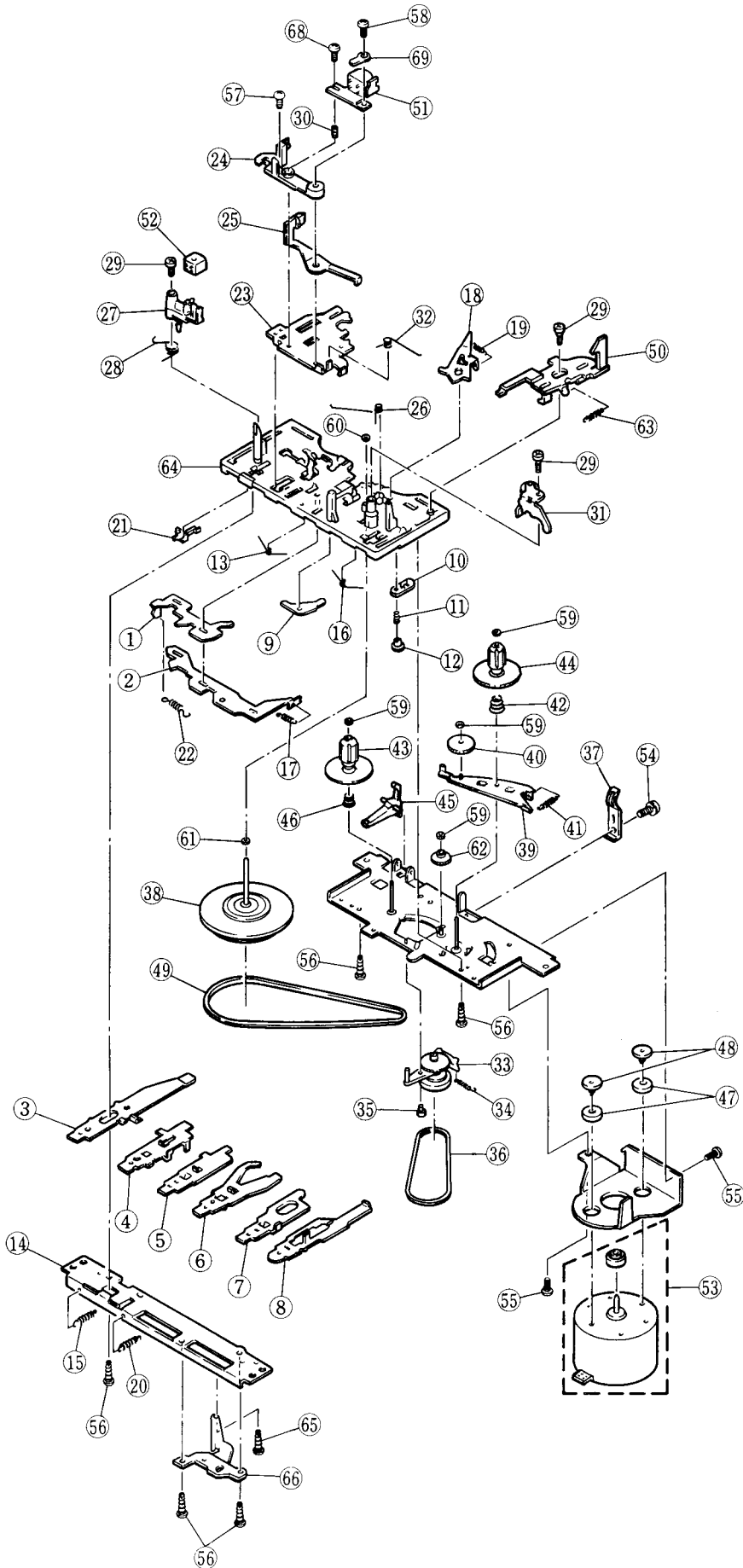
TRK-650 / TRK-P65

TRK-640
TRK-650
TRK-P65

1 2 3 4 5 6 7 8 9

EXPLODED VIEW · VUE EXPLOSEE (Cassette Chasis) (Châssis de Cassette)

- Nos. are reference Nos. of parts list.
- Ces numéros correspondent à la liste des pièces.



REPLACEMENT PARTS LIST

· TABLEAU DES PIÈCES

TRK-640
TRK-650
TRK-P65

CC: Cylindrical ceramic EL: Electrolytic ST: Styrol
CD: Ceramic discal MO: Metal oxide
CF: Carbon film MF: Mylar film

TRK-640

SYMBOL No.	PART No.	DESCRIPTION	SYMBOL No.	PART No.	DESCRIPTION	SYMBOL No.	PART No.	DESCRIPTION
CAPACITORS			RESISTORS					
C100	0240045	CC 1000PF ± 30% 50V	C172	0208686	CD 120PF ± 5% 50V [for E, E(BS)]	R101	0113579	CF 33Ω ± 5% SRD1/6P
C101	0230616	CD 15PF ± 5% 50V [for W, W(UN), AU]	C201	0240061	CC 0.01 μF ± 10% 16V	R102	0113579	CF 33Ω ± 5% SRD1/6P
C101	0230618	CD 18PF ± 20% 50V [for E, E(BS), H, HC]	C202	0240061	CC 0.01 μF ± 10% 16V	R110	0113567	CF 10Ω ± 5% SRD1/6P
C102	0240045	CC 1000PF ± 30% 50V	C203	0240041	CC 470PF ± 10% 50V	R154	0113647	CF 22KΩ ± 5% SRD1/6P [for E, E(BS)]
C103	0230619	CC 20PF ± 2% 50V [except H, HC]	C204	02528052	EL 0.47 μF 50V	R155	0113643	CF 15KΩ ± 5% SRD1/6P
C103	0230620	CD 22PF ± 20% 50V [for H, HC]	C205	0209765	CD 0.047 μF ± 20% 25V	R156	0113621	CF 1.8KΩ ± 5% SRD1/6P [for W, W(UN), AU]
C104	0208646	CD 6PF ± 0.5PF 50V	C206	02522322	EL 220 μF 6.3V	R156	0113623	CF 2.2KΩ ± 5% SRD1/6P [for E, E(BS)]
C105	0240045	CC 1000PF ± 30% 50V	C207	0252322	EL 22 μF 10V	R161	0113591	CF 100Ω ± 5% SRD1/6P [for E, E(BS)]
C107	1241884	CD 22PF ± 5% 50V	C208	0240066	CC 0.022 μF ± 80/20% 25V	R162	0113675	CF 330KΩ ± 5% SRD1/6P [for E, E(BS)]
C109	0248465	CD 5PF ± 0.5PF 50V	C209	0252225	EL 47 μF 6.3V	R163	0113623	CF 2.2KΩ ± 5% SRD1/6P [except H, HC]
C110	0240045	CC 1000PF ± 30% 50V	C210	0209765	CD 0.047 μF ± 20% 25V	R164	0113611	CF 680Ω ± 5% SRD1/6P [for H, HC]
C111	0240045	CC 1000PF ± 30% 50V	C211	0252813	EL 3.3 μF 50V	R201	0113663	CF 100KΩ ± 5% SRD1/6P
C112	0240066	CC 0.022 μF ± 80/20% 25V	C301	02528112	EL 1 μF 50V	R202	0113667	CF 150KΩ ± 5% SRD1/6P
C150	0208646	CC 6PF ± 0.5% 50V	C302	0252813	EL 3.3 μF 50V	R203	0113585	CF 56Ω ± 5% SRD1/6P [except H, HC]
C151	0208664	CD 15PF ± 5% 50V [except H, HC]	C303	1221395	ST 0.001 μF ± 5% 50V	R203	0113597	CF 180KΩ ± 5% SRD1/6P [for H, HC]
C152	0208633	CD 6PF ± 0.5% 50V [for E, E(BS)]	C304	02528112	EL 1 μF 50V	R204	0113643	CF 15KΩ ± 5% SRD1/6P
C153	0208633	CD 3PF ± 0.5PF 50V [for W, W(UN), AU]	C305LR	0240059	CC 6800PF ± 30% 16V	R205	0113663	CF 100KΩ ± 5% SRD1/6P
C153	0208680	CD 68PF ± 5% 50V [for E, E(BS)]	C306LR	02528112	EL 1 μF 50V	R206	0113583	CF 47Ω ± 5% SRD1/6P
C154	0230616	CD 8.2PF ± 5% 50V [for W, W(UN), AU]	C400LR	0240045	CC 1000PF ± 5% 50V	R207	0113671	CF 220KΩ ± 5% SRD1/6P
C154	0230616	CD 15PF ± 5% 50V [for E, E(BS)]	C403LR	0240055	CC 1500PF ± 20% 16V	R301	0113615	CF 1KΩ ± 5% SRD1/6P
C155	0230611	CD 8.2PF ± 5% 50V [for W, W(UN), AU]	C404LR	0208684	CD 100PF ± 5% 50V	R302	0113639	CF 10KΩ ± 5% SRD1/6P
C155	0230616	CD 15PF ± 5% 50V [for E, E(BS)]	C405LR	0252331	EL 100 μF 10V	R303	0113609	CF 560Ω ± 5% SRD1/6P
C156	0208668	CD 15PF ± 5% 50V [for W, W(UN), AU]	C406LR	0240041	CC 470PF ± 10% 50V	R304	0113671	CF 220KΩ ± 5% SRD1/6P
C157	0275013	MF 0.047 μF [for H, HC]	C407LR	0252521	EL 10 μF 16V	R305LR	0113627	CF 3.3KΩ ± 5% SRD1/6P
C157	0275011	MF 0.01 μF ± 10% 50V [except H, HC]	C408LR	0240061	CC 0.01 μF ± 80/20% 25V	R307LR	0113655	CF 47KΩ ± 5% SRD1/6P [except H, HC]
C158	1221393	ST 360PF ± 5% 50V [for E, E(BS)]	C409	0252322	EL 22 μF 10V	R307LR	0113657	CF 56KΩ ± 5% SRD1/6P [for H, HC]
C158	1221396	ST 1500PF ± 5% 50V [for W, W(UN), AU]	C410	0252521	EL 10 μF 16V	R308LR	0113599	CF 220Ω ± 5% SRD1/6P [except H, HC]
C159	0275013	MF 0.047 μF [for H, HC]	C411	02522322	EL 220 μF 6.3V	R308LR	0113613	CF 820Ω ± 5% SRD1/6P [for H, HC]
C159	1221391	ST 180PF ± 5% 50V [for E, E(BS)]	C412LR	0240054	CC 2700PF ± 20% 16V	R310	01132252	CF 47Ω ± 5% SRD1/2P
C159	1221393	ST 360PF ± 5% 50V [for W, W(UN), AU]	C413LR	02528052	EL 0.47 μF 50V	R401LR	0113663	CF 100KΩ ± 5% SRD1/6P
C161	0240061	CC 0.01 μF ± 10% 16V [for E, E(BS)]	C414LR	0209765	CD 0.047 μF ± 20% 25V	R402LR	0113599	CF 220Ω ± 5% SRD1/6P
C162	0240061	CC 0.01 μF ± 10% 16V [except H, HC]	C415	0209765	CD 0.047 μF ± 20% 25V	R403LR	0113591	CF 100Ω ± 5% SRD1/6P
C163	0240066	CC 0.022 μF ± 80/20% 25V [for E, E(BS)]	C451LR	0209733	CD 2200PF ± 10% 50V	R404LR	0113573	CF 18Ω ± 5% SRD1/6P
C169	0208633	CD 3P [for H, HC]	C452	0240045	CC 1000PF ± 30% 50V	R405LR	0113647	CF 22KΩ ± 5% SRD1/6P
C171	0230608	CD 4.7PF ± 10% 50V [except H, HC]	C453	0240066	CC 0.022 μF ± 80/20% 25V	R406	0113663	CF 100KΩ ± 5% SRD1/6P
			C454	0252325	EL 47 μF 10V	R407LR	0113623	CF 2.2KΩ ± 5% SRD1/6P
			C455	0240061	CC 0.01 μF ± 10% 16V	R408LR	0113599	CF 220Ω ± 5% SRD1/6P
			C501	0252325	EL 47 μF 10V	R409LR	0113627	CF 3.3KΩ ± 5% SRD1/6P
			C502LR	0240045	CC 1000PF ± 30% 50V	R410LR	0113599	CF 220Ω ± 5% SRD1/6P
			C503LR	0252325	EL 47 μF 10V	R411	0113583	CF 47Ω ± 5% SRD1/2P
			C504LR	0230628	CD 47PF ± 20% 50V	R412	0113627	CF 3.3KΩ ± 5% SRD1/6P
			C505LR	0252325	EL 47 μF 10V	R413	0113611	CF 680Ω ± 5% SRD1/6P
			C506LR	0276011	MF 0.1 μF ± 10% 25V	R414LR	0113627	CF 3.3KΩ ± 5% SRD1/6P
			C507LR	0252233	EL 330 μF 6.3V	R415LR	0113641	CF 12KΩ ± 5% SRD1/6P
			C508	0252325	EL 47 μF 10V	R450	0113631	CF 4.7KΩ ± 5% SRD1/6P
			C509	0252541	EL 1000 μF 16V	R451	0113651	CF 33KΩ ± 5% SRD1/6P
			C511	0252533	EL 330 μF 16V			
			C512	0252533	EL 330 μF 16V			
			C515	0275013	MF 0.022 μF ± 10% 50V			
			C601	0244171	CD 0.01 μF ± 80/20% 50V [except H, HC]			
			C602	0244171	CD 0.01 μF ± 80/20% 50V			
			C603	0244171	CD 0.01 μF ± 80/20% 50V [except H, HC]			
			C604	0244171	CD 0.01 μF ± 80/20% 50V			

SYMBOL No.	PART No.	DESCRIPTION
R452	0113563	CF 6.8Ω ±5% SRD1/6P
R453	01132252	CF 47Ω +5% SRD1/2P
R454	0113615	CF 1KΩ ±5% SRD1/6P
R501LR	0113587	CF 68Ω ±5% SRD1/6P
R502LR	0129509	CF 2.2Ω ±5% SRD1/4P
R503	0113591	CF 100Ω ±5% SRD1/6P
R504	0113609	CF 560Ω ±5% SRD1/6P
ICs & TRANSISTORS		
IC101	2398201	TA7358P
IC201	2389511	TA7640AP
IC301	23010412	TA7343AP
IC401	23008812	AN7312
IC501	23020712	μ PC1316C
Q451	2319101	2SC1684R
Q452	2319052	HIT8050C
Q501	2319062	HIT5609C
DIODES		
D101	2398082	1N4148
D102	2398082	1N4148
D601	2398063	1N4001 [except H, HC]
D602	2398063	1N4001
D603	2398063	1N4001 [except H, HC]
D604	2398063	1N4001
D605	2398063	1N4001 [for W, W(UN)]
VCD3	23380312	1S2790
ZD501	2397261	MTZ6.2A
LED1	2397611	LN242RPH-LF
VARIABLE RESISTORS		
RT301	0189331	5kΩ -(B) (FM MPX ADJ.)
RV401LR	0189532	10kΩ -(A) (VOLUME CONTROL)
RV402LR	0189532	10kΩ -(A) (TONE CONTROL)
COILS & TRANSFORMERS		
L101	2137680	FM RF coil
L102	2135248	FM OSC coil
L151	2137662	SW ANT coil [for E, E(BS)]
L151	2137821	SW ANT coil [for W, W(UN), AU]
L152	2758321	Ferrite antenna [for H, HC]
L152, 153	2757994	Ferrite antenna [for E, E(BS)]
L152, 153	2757982	Ferrite antenna [for W, W(UN), AU]
L154	2137671	SW OSC coil [for E, E(BS)]
L154	2137672	SW OSC coil [for W, W(UN), AU]
L155	2137631	MW OSC coil [for E, E(BS)]
L155	2137633	SW OSC coil [for W, W(UN), AU]
L156	2137642	LW OSC coil [for E, E(BS)]

SYMBOL No.	PART No.	DESCRIPTION
L156	2137631	MW OSC coil [for W, W(UN), AU]
L161	2137634	MW OSC coil [for H, HC]
L171	2137684	Choke coil [except H, HC]
L501	2227392	Choke coil
T101	2135651	FM IF transformer
T201	2154952	AM IF transformer
T202	2154964	FM IF transformer
T203	2154951	AM IF transformer
T451	2136891	REC OSC transformer
△	5213432	Power transformer [for E]
△	5213433	Power transformer [for E(BS), AU]
△	5213431	Power transformer [for H, HC]
△	5213441	Power transformer [for W, W(UN)]
MISCELLANEOUS		
CT156	0282148	Capacitor semi variable
	0282182	Capacitor variable [except H, HC]
	0282282	Capacitor variable [for H, HC]
CT156	0283557	Trimmer
△F601	2728071	Fuse 800mA [except H, HC]
J401LR	2678781	2P pin jack
J601	2678881	DC jack [for W, W(UN)]
	26592712	2P socket [for E, E(BS)]
	2659272	2P socket [except E, E(BS)]
M401	2737102	Microphone
S201	2629282	Slide switch (BAND SELECT) [except H, HC]
S201	5621151	Slide switch (BAND SELECT) [for H, HC]
S401	2628361	Slide switch (REC/PLAY SELECT)
S402	2629331	Slide switch (RIF)
S501	2628581	Slide switch (FUNCTION)
S602	2618472	Switch (VOLTAGE SELECT) [for W, W(UN)]
CF201	2135321	Ceramic filter
BPF1	2137191	FM Band pass filter
	0283130	Capacitor semi variable
	2727832	Fuse holder
CABINET		
△1	2705942	Power supply cord [for E]
△	2717901	Power supply cord [for E(BS)]
△	2706591	Power supply cord [for H, HC]

SYMBOL No.	PART No.	DESCRIPTION
△	2717464	Power supply cord [for W, W(UN)]
△	2704542	Power supply cord [for AU]
2	3303341	Tuning Knob [for E, E(BS), H, HC]
3	3303841	Tuning knob sub assy [for W, W(UN), AU]
4	3808561	Knob 30
5	4577818	BT screw (3 φ x 50)
6	4577816	BT screw (3 φ x 20)
7	4005381	Handle assy
8	4005651	Front case assy [for E, E(BS)]
	4005652	Front case assy [for H, HC]
	4005653	Front case assy [for W, W(UN)]
	4005654	Front case assy [for AU]
9	4577661	Roller pin
10	3934271	8 φ roller
11	4598151	TUN shaft
12	4418014	E ring
13	3808611	Pulley holder
14	3808601	Pulley 80
15	3340321	Spring
16	3808591	Pointer
17	3808571	Function lever
18	3808581	Band lever
19	3808521	Cassette lid
20	3368682	Door spring
21	3970221	Gear damper
22	2403392	10 cm speaker
24	4578973	BT flange screw (3 φ x 8)
25	8699410	BT bind head screw (3 φ x 10)
26	4005691	Rear case assy [for E]
	4005692	Rear case assy [for E(BS)]
	4005693	Rear case assy [for H]
	4005694	Rear case assy [for HC]
	4005695	Rear case assy [for W]
	4005696	Rear case assy [for W(UN)]
	4005697	Rear case assy [for AU]
27	4005631	Battery lid sub assy
28	2757901	ROD. antenna
29	8744412	Bind head screw (3 φ x 12)
30	3369941	Spring
31	3392441	Spring (for Timer)
32	3392431	Terminal (for Timer)
33	8691410	BT screw (3 φ x 10)
34	4577817	BT screw (3 φ x 30)
35	2588614	TN-21VC-1454 deck mecha
36	3808551	Cassette button
37	4479701	REC plate

TRK-650/TRK-P65

SYMBOL No.	PART No.	DESCRIPTION	SYMBOL No.	PART No.	DESCRIPTION	SYMBOL No.	PART No.	DESCRIPTION
38	8741104	Bind head screw (2 ϕ x 4)	CAPACITORS			C306LR	02528112	EL 1 μF 50V
39	8815111	Lock washer				C400LR	0240045	CC 1000PF ±10% 50V
40	4578973	3 ϕ x 10 Colintersunk head screw				C403LR	0240051	CC 1500PF ±20% 16V
for ACCESSORIES						C404LR	0240033	CC 100PF ±10% 50V
△	3909585	Siemens plug [for W, W(UN)]	C100	0240045	CC 1000PF ±30% 50V	C405LR	0252331	EL 100 μF 10V
			C101	0230618	CD 18PF ±5% 50V	C406LR	0240041	CC 470PF ±10% 50V
			C102	0240045	CC 1000PF ±10% 50V	C407LR	0252521	EL 10 μF 16V
			C103	0240045	CC 1000PF ±10% 50V [for TRK-P65]	C408LR	0240061	CC 0.01 μF ±80% 16V
			C103	0230620	CD 20PF ±5% 50V [for TRK-650]	C409	0252322	EL 22 μF 10V
			C104	0208646	CD 6PF ±0.5PF 50V	C410	0252521	EL 10 μF 16V
			C105	0240045	CC 1000PF ±10% 50V	C411	02522322	EL 220 μF 6.3V
			C106	0248470	CD 10PF ±0.25PF 50V [for TRK-P65]	C412LR	0240054	CC 2700PF ±20% 16V
			C107	1241884	CD 22PF ±5% 50V	C413LR	02528052	EL 0.47 μF 50V
			C108	0240045	CC 1000PF ±10% 50V [for TRK-P65]	C414LR	0209765	CD 0.047 μF ±20% 25V
			C109	0248465	CD 5PF ±0.5PF 50V	C415	0209765	CD 0.047 μF ±20% 25V
			C110	0240045	CC 1000PF ±10% 50V	C451LR	0209733	CD 2200PF ±10% 50V
			C111	0240045	CC 1000PF ±10% 50V	C452	0240045	CC 1000PF ±10% 50V
			C112	0240033	CC 0.022 μF ±10% 50V	C453	0240066	CC 0.022 μF ±80% 16V
			C150	0208646	CC 6PF ±0.5% 50V [for TRK-650]	C454	0252325	EL 47 μF 10V
			C151	0208664	CD 15PF ±5% 50V	C455	0240061	CC 0.01 μF ±30% 16V
			C152	0208648	CD 8PF ±0.5% 50V [for TRK-P65]	C501	0252325	EL 47 μF 10V
			C152	0208633	CC 3PF ±5% 50V [for TRK-650]	C502LR	0240053	CC 0.0022 μF ±10% 50V
			C153	0208680	CD 68PF ±5% 50V	C503LR	0252325	EL 47 μF 10V
			C154	0230620	CD 22PF ±5% 50V [for TRK-P65]	C504LR	0230628	CD 47PF ±5% 50V
			C154	0230616	CC 15PF ±10% 50V [for TRK-650]	C505LR	0252325	EL 47 μF 10V
			C155	0230620	CD 22PF ±5% 50V [for TRK-P65]	C506LR	0276011	MF 0.1 μF ±10% 50V
			C155	0230616	CC 15PF ±10% 50V [for TRK-650]	C507LR	0252233	EL 330 μF 6.3V
			C156	0208648	CD 8PF ±0.5% 50V [for TRK-P65]	C508	0252325	EL 47 μF 10V
			C157	0275011	MF 0.01 μF ±10% 50V	C509	0252541	EL 1000 μF 16V
			C158	1221393	ST 360PF ±5% 50V	C510	0252541	EL 1000 μF 16V [for TRK-P65 only]
			C159	1221391	ST 180PF ±5% 50V	C511	0252533	EL 330 μF 16V
			C161	0240061	CC 0.01 μF ±30% 16V	C512	0252533	EL 330 μF 16V [for TRK-P65]
			C162	0240061	CC 0.01 μF ±30% 16V			EL 1000 μF 16V [for TRK-650]
			C163	0240066	CC 0.022 μF ±80% 16V	C515	0275013	MF 0.022 μF ±10% 50V
			C171	0230608	CD 4.7PF ±10% 50V	C601	0244171	CD 0.01 μF ±80% 50V
			C172	0240034	CC 120PF ±10% 50V	C602	0244171	CD 0.01 μF ±80% 50V
			C201	0240061	CC 0.01 μF ±30% 16V	C603	0244171	CD 0.01 μF ±80% 50V
			C202	0240061	CC 0.01 μF ±30% 16V	C604	0244171	CD 0.01 μF ±80% 50V
			C203	0240041	CC 470PF ±10% 50V	C701	0252331	EL 100 μF 10V [for TRK-P65 only]
C204	02528052	EL 0.47 μF 50V	C702	02528122	EL 2.2 μF 50V [for TRK-P65 only]			
C205	0209765	CD 0.047 μF ±20% 25V	C703	0240066	CC 0.022 μF ±80% 16V [for TRK-P65 only]			
C206	02522322	EL 220 μF 6.3V	C704	0274012	MF 0.0015 μF ±10% 50V [for TRK-P65 only]			
C207	0252322	EL 22 μF 10V	C705	02528112	EL 1 μF 50V [for TRK-P65 only]			
C208	0240066	CC 0.022 μF ±80% 16V	C706	02528112	EL 1 μF 50V [for TRK-P65 only]			
C209	0252325	EL 47 μF 10V	C707	0276011	MF 0.1 μF ±10% 50V [for TRK-P65 only]			
C210	0209765	CD 0.047 μF ±20% 25V	C708	0276013	MF 0.22 μF ±10% 50V [for TRK-P65 only]			
C211	0252813	EL 3.3 μF 50V	C709	0252803K	EL 0.33 μF 50V [for TRK-P65 only]			
C301	02528112	EL 1 μF 50V	C711	0248689	CC 100PF [for TRK-P65 only]			
C302	0252813	EL 3.3 μF ±20% 50V	C801	02528112	EL 1 μF 50V			
C303	1221395	ST 0.001 μF ±5% 50V						
C304	02528112	EL 1 μF 50V						
C305LR	0240059	CC 6800PF ±30% 16V						

SYMBOL No.	PART No.	DESCRIPTION			
RESISTORS					
R101	0113579	CF 33Ω	±5%	SRD1/6P	
R102	0113579	CF 33Ω	±5%	SRD1/6P	
R110	0113567	CF 10Ω	±5%	SRD1/6P	
R154	0113647	CF 22KΩ	±5%	SRD1/6P	
R155	0113643	CF 15KΩ	±5%	SRD1/6P	
R156	0113623	CF 2.2KΩ	±5%	SRD1/6P	
R161	0113591	CF 100Ω	±5%	SRD1/6P	
R162	0113675	CF 330KΩ	±5%	SRD1/6P	
R163	0113623	CF 2.2KΩ	±5%	SRD1/6P	
R201	0113663	CF 100KΩ	±5%	SRD1/6P	
R202	0113667	CF 150KΩ	±5%	SRD1/6P	
R203	0113585	CF 56Ω	±5%	SRD1/6P	
R204	0113643	CF 15KΩ	±5%	SRD1/6P	
R205	0113663	CF 100KΩ	±5%	SRD1/6P	
R206	0113583	CF 47Ω	±5%	SRD1/6P	
R207	0113671	CF 220KΩ	±5%	SRD1/6P	
R301	0113615	CF 1KΩ	±5%	SRD1/6P	
R302	0113639	CF 10KΩ	±5%	SRD1/6P	
R303	0113609	CF 560Ω	±5%	SRD1/6P	
R304	0113671	CF 220KΩ	±5%	SRD1/6P	
R305LR	0113627	CF 3.3KΩ	±5%	SRD1/6P	
R307LR	0113657	CF 56KΩ	±5%	SRD1/6P	
		[for TRK-P65]			
R307LR	0113655	CF 47KΩ	±5%	SRD1/6P	
		[for TRK-650]			
R308LR	0113613	CF 820Ω	±5%	SRD1/6P	
		[for TRK-P65]			
R308LR	0113599	CF 220Ω	±5%	SRD1/6P	
		[for TRK-650]			
R310	01132252	CF 47Ω	±5%	SRD1/2P	
R401LR	0113663	CF 100KΩ	±5%	SRD1/6P	
R402LR	0113599	CF 220Ω	±5%	SRD1/6P	
R403LR	0113591	CF 100Ω	±5%	SRD1/6P	
R404LR	0113573	CF 18Ω	±5%	SRD1/6P	
R405LR	0113647	CF 22KΩ	±5%	SRD1/6P	
R406	0113663	CF 100KΩ	±5%	SRD1/6P	
R407LR	0113623	CF 2.2KΩ	±5%	SRD1/6P	
R408LR	0113599	CF 220Ω	±5%	SRD1/6P	
R409LR	0113627	CF 3.3KΩ	±5%	SRD1/6P	
R410LR	0113599	CF 220Ω	±5%	SRD1/6P	
R411	0113225	CF 47Ω	±5%	SRD1/2P	
R412	0113615	CF 1KΩ	±5%	SRD1/6P	
R413	0113611	CF 680Ω	±5%	SRD1/6P	
R414LR	0113627	CF 3.3KΩ	±5%	SRD1/6P	
R415LR	0113641	CF 12KΩ	±5%	SRD1/6P	
R450	0113631	CF 4.7KΩ	±5%	SRD1/6P	
R451	0113651	CF 33KΩ	±5%	SRD1/6P	
R452	0113563	CF 6.8Ω	±5%	SRD1/6P	
R453	01132252	CF 47Ω	±5%	SRD1/2P	
R454	0113615	CF 1KΩ	±5%	SRD1/6P	
R501LR	0113587	CF 68Ω	±5%	SRD1/6P	
R502LR	0129509	CF 2.2Ω	±5%	SRD1/4P	
R503	0113591	CF 100Ω	±5%	SRD1/6P	
R504	0113609	CF 560Ω	±5%	SRD1/6P	
R701	01195042	MO 18Ω	±10%	RS2.5B	
		[for TRK-P65]			
R702	0113615	CF 1KΩ	±5%	SRD1/6P	
		[for TRK-P65]			
R703	0113587	CF 68Ω	±5%	SRD1/6P	
		[for TRK-P65]			

SYMBOL No.	PART No.	DESCRIPTION			
R704	0113623	CF 2.2KΩ	±5%	SRD1/6P	
		[for TRK-P65]			
R705	0113655	CF 47KΩ	±5%	SRD1/6P	
		[for TRK-P65]			
R706	0113599	CF 220Ω	±5%	SRD1/6P	
		[for TRK-P65]			
R707	0113641	CF 12KΩ	±5%	SRD1/6P	
		[for TRK-P65]			
R708	0113627	CF 3.3KΩ	±5%	SRD1/6P	
		[for TRK-P65]			
R709	0113647	CF 22KΩ	±5%	SRD1/6P	
		[for TRK-P65]			
R710	0113647	CF 22KΩ	±5%	SRD1/6P	
		[for TRK-P65]			
R711	0113639	CF 10KΩ	±5%	SRD1/6P	
		[for TRK-P65]			
R801	0113671	CF 220KΩ	±5%	SRD1/6P	
R802	0113619	CF 1.5KΩ	±5%	SRD1/6P	
R803	0113633	CF 5.6KΩ	±5%	SRD1/6P	
R804	0113639	CF 10KΩ	±5%	SRD1/6P	
R805	0113667	CF 150KΩ	±5%	SRD1/6P	
ICs & TRANSISTORS					
IC101	2398201	TA7358P			
IC201	2389511	TA7640AP			
IC301	23010412	TA7343AP			
IC401	23008812	AN7312			
IC501	23020712	μC PC1316C			
Q151	2319083	HIT9011GH			
Q451	2319101	2SC1684R			
Q452	2319052	HIT8050C			
Q501	2319062	HIT5609C			
Q701	2318191	2SC1815GR		[for TRK-P65]	
Q702	2318201	2SD592AR		[for TRK-P65]	
Q801	2328273	2SB605L			
Q802	23280832	2SA844E			
Q803	2319101	2SC1684R			
DIODES					
D101	2398082	1N4148			
D102	2398082	1N4148			
D601	2398063	1N4001			
D602	2398063	1N4001			
D603	2398063	1N4001			
D604	2398063	1N4001			
D701	23376412	1SS81		[for TRK-P65]	
D702	2398082	1N4148		[for TRK-P65]	
D801	2398081	1N4148			
D802	2398081	1N4148			
VCD1	2398371	1SV50		[for TRK-P65]	
VCD2	2398371	1SV50		[for TRK-P65]	
VCD3	23380312	1S2790		[for TRK-P65]	
ZD501	2397261	MTZ6.2A			

SYMBOL No.	PART No.	DESCRIPTION	
ZD701	23386722	RD39EB6	[for TRK-P65]
ZD702	23380912	μC PC574J	[for TRK-P65]
LED1	2397611	LN242RPH-LF	
VARIABLE RESISTORS			
RT301	0189331	5kΩ-(B) (FM MPX ADJ.)	
RT701	0189334	20kΩ-(B) (FM OSC. ADJ.)	[for TRK-P65]
RT702	0189332	10kΩ-(B) (FM OSC. ADJ.)	[for TRK-P65]
RT703	0189332	10kΩ-(B) (FM OSC. ADJ.)	[for TRK-P65]
RV401LR	0189532	10kΩ (VOLUME CONTROL)	
RV401LR	0189532	10kΩ (TONE CONTROL)	
RV701	0189352	100kΩ (FM PRESET CONTROL)	[for TRK-P65]
RV702	0189352	100kΩ (FM PRESET CONTROL)	[for TRK-P65]
RV703	0189352	100kΩ (FM PRESET CONTROL)	[for TRK-P65]
RV704	0189352	100kΩ (FM PRESET CONTROL)	[for TRK-P65]
RV705	0189352	100kΩ (FM PRESET CONTROL)	[for TRK-P65]
COILS & TRANSFORMERS			
L101	2137680	FM RF coil	
L102	2135240	FM OSC coil	
L151	2137662	SW ANT coil	
L152,153	2657994	Ferrite antenna	
L154	2137671	SW OSC coil	
L155	2137631	MW OSC coil	
L156	2137642	LW OSC coil	
L171	2137684	Choke coil	
L501	2227392	Choke coil	
L701	2227748	Choke coil	[for TRK-P65]
△	5213432	Power Transformer	[for E]
△	5213433	Power Transformer	[for E(BS)]
T101	2135651	FM-IF Transformer	
T201	2154952	AM IF Transformer	
T202	2154964	FM IF Transformer	
T203	2154951	AM IF Transformer	
T451	2136891	REC OSC transformer	
T701	2267021	DC-DC CONV. transformer	[for TRK-P65]
CF201	2135321	Ceramic filter	
	0283130	Capacitor semi variable	
	26592712	2P socket	
	0283557	Trimmer	
BPF1	2137191	FM Band pass filter	
MISCELLANEOUS			
CT156	0282148	Capacitor semi variable	
PVC	0282381	Capacitor semi variable	[for TRK-P65]
△F601	27280712	Fuse 800mA	

SYMBOL No.	PART No.	DESCRIPTION	SYMBOL No.	PART No.	DESCRIPTION	SYMBOL No.	PART No.	DESCRIPTION
J401LR	2678781	2P pin jack	32	3392431	Terminal	41	48190202	T.G. plate spring
M401	2737102	Microphone	33	3367142	Spring A	42	4839382	Back tension spring
MD801	2301621	Clock module DQ463	34	4436666	Terminal	43	4842431	Supply reel assy
S201	2629282	Slide switch (BAND SELECT)	35	8691410	Screw (3 φ x 10)	44	4839381	Take-up reel assy
S401	2628361	Slide switch (REC/PLAY SELECT)	36	4577817	Screw (3 φ x 30)	45	4832421	Record safety lever
S402	2629331	Slide switch (RIF)	△37	2705942	Power Cord [for E]	46	4839370	Back tension spring
S501	2628581	Slide switch (FUNCTION)	△	2717901	Power Cord [for E(BS)]	47	48190392	Motor rubber
S701— 706	2639628	6 key push switch (FM PRESET) [for TRK-P65]	38	3303341	Tuning Knob	48	48195332	Motor collar screw
S801	2639682	Tact switch (TIME)	39	3808561	Knob 30	49	8504292	Main belt
S802	2639682	Tact switch (SET)	40	4577818	Screw (3 φ x 50)	50	48190432	Eject slide lever
S803	2639682	Tact switch (SLEEP)	41	4577816	BT screw (3 φ x 20)	51	2555671	Record playback head
S804	2639682	Tact switch (HOUR)	42	3808531	Preset lid [for TRK-P65]	52	2557321	Erase head
S805	2639682	Tact switch (MIN)	43	4005381	Handle assy	53	2523875	Motor assy
S811	2600531	Switch (TIMER)	44	3909571	Timer filter	54	48190632	Tapping screw (2 φ x 3)
CABINET CHASSIS			45	4418014	E Ring	55	48190682	Tapping screw (2 φ x 4)
1	4005331	Front case assy [for TRK-P65]	46	4578973	3 φ x 10 Colintersunk head screw	56	48196072	Bind tapping screw (2 φ x 5)
	4005621	Front case assy [for TRK-650]	CASSETTE CHASSIS			57	48190692	Screw (2 φ x 6)
2	4577661	Roller Pin	1	48189922	Switch Plate	58	48190602	Screw (2 φ x 7)
3	3934271	8 Roller	2	4832411	Push button actuator assy	59	48190772	Washer (1.2)
4	4598151	Tuning shaft	3	48202122	REC button lever	60	48190782	Washer (1.55)
5	3808611	Pulley holder	4	48202132	PLAY button lever	61	4832432	Washer (2.05)
6	3808601	Pulley 80	5	48189962	RWD button lever	62	4832417	FF gear
7	3340321	Spring M	6	48189972	FF button lever	63	4819044	Eject slide lever spring
8	3808591	Pointer	7	48189982	Stop button lever	64	48189912	Main base assy
9	3808571	Function Lever	8	48189992	PAUSE button lever assy	65	4832522	Screw
10	3808581	Band Lever	9	48189902	RWD lever	66	4831610	Metal guide
11	3808541	Timer button	10	48191312	PAUSE lever	67	48202512	Motor bracket
12	3808621	Timer set button	11	48191322	PAUSE lever spring	68	48196002	Azimuth screw
13	3801521	PR Knob [for TRK-P65]	12	48191332	PAUSE stopper	69	48190622	Lug
14	3801522	PR Knob [for TRK-P65]	13	48202142	Button lever spring			
15	3808521	Cassette Lid	14	48202152	Sub chassis			
16	3368682	Door spring	15	48190072	Button lever spring			
17	3970221	Gear damper	16	48191002	Button lever spring			
18	2403392	10 cm speaker	17	48190082	Actuator spring			
19	4578973	BT flange screw (3 φ x 8)	18	48190092	Auto lever			
20	8699410	BT bind head screw (3 φ x 10)	19	48190002	Auto lever spring			
21	2588614	TN-21VC-1454 deck mecha	20	48202172	PLAY button lever spring			
22	3808551	Cassette button	21	2789801	Leaf switch			
23	4479701	Rec plate	22	48202182	Switch actuator spring			
24	8741104	Bind head screw (2 φ x 4)	23	48202192	Head panel			
25	8815111	Lock washer	24	48190142	Head base			
26	4005351	Rear case assy [for TRK-P65 E]	25	48190152	Sensing plate assy			
	4005352	Rear case assy [for TRK-P65 E(BS)]	26	48202212	Head panel spring			
	4005671	Rear case assy [for TRK-650 E]	27	48190182	M.G. arm			
	4005672	Rear case assy [for TRK-650 E(BS)]	28	48202162	MG arm spring			
27	4005361	Battery lid sub assy	29	48190452	Screw			
28	2757901	Rod. antenna	30	48190172	Spring			
29	8744412	Bind head screw (3 φ x 12)	31	4839372	Pinch roller arm assy			
30	3369941	Spring	32	4848082	Pinch roller spring			
31	3392441	Spring	33	8504291	RF pulley arm assy			
			34	48202252	RF pulley arm spring			
			35	48202262	RF arm collar screw			
			36	4831619	RF belt			
			37	48190362	Pack spring			
			38	4850092	Flywheel			
			39	4839377	Take up gear plate assy			
			40	4839378	Take up roller gear			



HITACHI SALES EUROPA GmbH
Rungedamm 2,2050 Hamburg 80,
West Germany
Tel. 040-734 11-0

HITACHI SALES (U.K.) Ltd.
Hitachi House, Station Road, Hayes, Middlesex UB3
4DR, England
Tel. 01-848-8787

HITACHI SALES SCANDINAVIA AB
Rissneleden 8, Box 7138, 172-07 Sundbyberg, Sweden
Tel. 08-98 52 80

HITACHI SALES NORWAY A/S
P.O. Box 503, Oerebekk, 1620,
Gressvik, Norway
Tel. 032-28255

SUOMEN HITACHI OY
Takojanokatu 5, 15800 Lahti 80, Finland
Tel. (918) 44 241

HITACHI SALES A/S
Kuldysen 13, DK-2630, Taastrup, Denmark
Tel. 02-999200

HITACHI SALES A.G.
Bahnhofstrasse, 19, 5600 Lenzburg, Switzerland
Tel. 064-513621

HITACHI SALES WARENHANDELS GMBH
A-1180/Wien, Kreuzgasse 27, Austria
Tel. 0222-421670

HITACHI SALES ITALIANA, S.P.A.
Via Ludovico di Breme. 9-20156
MILANO Italy
Tel. (02) 30231

HITACHI SALES BELGIUM S.A./N.V.
Chaussee de Namur, 56, B-1400 Nivelles, Belgium
Tel. (3267) 21-71-81, (3267) 21-79-81

HITACHI SALES IBERICA, S.A.
Gran Via Carlos Tercero, 101, 1-1, Barcelona-08028,
Spain
Tel. 330-8652

**HITACHI PRODUCTIONS MAROC ELECTRONIQUES
DOMESTIQUES S.A.**
Rue du Havre, Casablanca, Morocco
Tel. 30-73-68, 30-73-57

HITACHI CANARIAS S.A.
Calle San-Francisco No. 19, 38002, Santa Cruz de Tenerife
Canary Islands
Tel. 24-64-98

HITACHI SALES (HELLAS) S.A.
110 Syngrou St., Athens, Greece
Tel. 9219082, 9233469

HITACHI SALES (MALAYSIA) SDN. BHD.
Wisma Hitachi. No. 2. Lorong 13/6A, 46200 Petaling
Jaya, Malaysia
Tel. 7573455

HITACHI (SINGAPORE) PTE., LTD.
18 Pasir Panjang Road # 01-03 PSA
Multi-Storey Complex. Singapore 0511
Tel. 2738102

HITACHI SALES (THAILAND) LTD.
2240-46, New Petchburi Road, Bangkok, Hueykuang
Bangkok, Thailand
Tel. 314-2741

HITACHI ELECTRIC SERVICE CO., (HONG KONG) LTD.
4th Floor Leun Tai Industrial Bldg., 72-76 Kwai Cheong
Road Kwai Chung N.T., Hong Kong
Tel. 0-242976, 0-240126

HITACHI SALES AUSTRALIA PTY LTD.
153 Keys Road, Moorabbin, Victoria 3189 Australia
Tel. 555-8722

HITACHI SALES CORPORATION OF AMERICA
Eastern Regional Office
1200 Wall Street West, Lyndhurst, New Jersey 07071,
U.S.A.
Tel. 201-935-8980

Mid-Western Regional Office
1400 Morse Ave., Elk Grove Village, Illinois. 60007, U.S.A.
Tel. 312-593-1550

Southern Regional Office
510 Plaza Drive, College Park, Georgia 30349, U.S.A.
Tel. 404-763-0360

Headquarters Western Regional Office
401 West Artesia Boulevard, Compton, California 90220
U.S.A.
Tel. 213-537-8383

HITACHI SALES CORPORATION OF HAWAII, INC.
3219 Koapaka Street. Honolulu, Hawaii 96819, U.S.A.
Tel. 808-836-3621

HITACHI (HSC) CANADA INC.
3300 Trans-Canada Highway, Pointe Claire, Quebec,
H9R 1B1, Canada
Tel. 514-697-9150

Hitachi Sales Centroamericana, S.A.
HITACHI ELECTRONICA CENTROAMERICANA S.A.
San Rafael de Escazu, Apartado 10272, San Jose,
Costa Rica
Tel. 28-20-11, 28-00-37

Hitachi Sales Corporation de Panama, S.A.
INTERNATIONAL HITACHI SALES PANAMA, LTD.
PRODUCTOS HITACHI, S.A.
(Apartado 7657) Panama 5 Panama City, Rep. of Panama
Tel. 61-3100, 61-4305

HITACHI-FRANCE (RADIO-T.V. ELECTRO-MENAGER) S.A.
95-101 Rue Charles Michels,
93200 SAINT-DENIS,
France
Tel. 4821 6015

HITACHI LTD. TOKYO JAPAN
Head Office: THE HITACHI ATAGO BLDG.
No. 15-12, 2-Chome Nishi-Shinbashi
Minato-ku, Tokyo 105, Japan
Tel. Tokyo (03) 502-2111

TRK-640/650/P65 TY No. 592 EF